

- USER MANUAL
- MANUEL DE SERVICE
- BEDIENUNGSANLEITUNG
- ISTRUZIONI D'USO

LDS
LMS
LHS

INDEX

OUTLINE AND CUT OUT DIMENSIONS	IV
MOUNTING REQUIREMENTS	1
CONNECTION DIAGRAMS	2
PRELIMINARY HARDWARE SETTINGS	5
CONFIGURATION PROCEDURE	6
OPERATIVE MODE	10
Indicators	10
Pushbutton function	11
Manual reset of the alarms	11
SMART algorithm	11
Output power OFF	12
Direct access to the set point	12
Display of the set point value (LDS only) ..	12
Bargraph operating (LDS only)	13
Lamp test	13
OPERATIVE PARAMETERS	13
ERROR MESSAGES	15
GENERAL INFORMATION	17
MAINTENANCE	19
DEFAULT PARAMETERS	A.1

INDEX

DIMENSIONS ET PERCAGE	IV
MONTAGE	1
RACCORDEMENTS ELECTRIQUES	2
MISE AU POINT PRELIMINAIRE	5
PROCEDURE DE CONFIGURATION	6
DIALOGUE UTILISATEUR	10
Indicateurs	10
Description du clavier	11
Acquit manuel de l'alarme	11
Algorithme SMART	11
Invalidation du signal de sortie	12
Modification directe du point de consigne	12
Visualisation du point de consigne	12
programme (uniquement LDS)	12
Etat de fonctionnement du bar	13
graph (uniquement LDS)	13
Lamp test	13
PARAMETRES DE FONCTIONNEMENT	13
MESSAGES D'ERREUR	15
CARACTERISTIQUES TECHNIQUES	17
ENTRETIEN	19
DEFAULT PARAMETERS	A.1

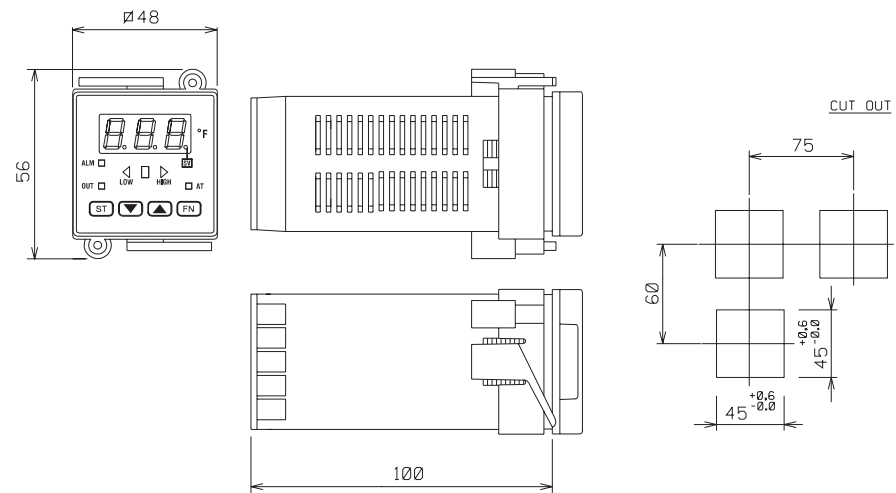
INHALTSVERZEICHNIS **D**

MESSUNGEN UND FRONTTAFELAUSSCHNITT	IV
MONTAGE	1
ELEKTISCHE ANSCHLÜßE	2
HARDWAREEINSTELLUNGEN	5
KONFIGURATIONSVERFAHREN	6
BETRIEBSMODUS	10
Anzeiger	10
Beschreibung der Tastatur	11
Manuelles Rücksetzen der Alarme	11
SMART-Algorithmus	11
Sperrung des Ausgangssignals	12
Direkte Änderung des Sollwertes	12
Anzeige des eingestellten Sollwertes (nur LDS)	12
Funktion des Bargraphs (nur LDS)	13
Überprüfung der Kontrolllampen	13
BETRIEBSPARAMETER	13
FEHLERMELDUNGEN	15
TECHNISCHE MERKMALE	17
WARTUNG	19
DEFAULT PARAMETERS	A.1

INDICE **I**

DIMENSIONI E FORATURA	IV
MONTAGGIO	1
COLLEGAMENTI ELETTRICI	2
IMPOSTAZIONI HARDWARE PRELIMINARI	5
PROCEDURE DI CONFIGURAZIONE	6
MODO OPERATIVO	10
Indicatori	10
Descrizione della tastiera	11
Riarmo manuale dell'allarme	11
Algoritmo SMART	11
Inibizione dell'uscita regolante	12
Modifica diretta del set point	12
Visualizzazione del set point impostato (solo LDS)	12
Funzionalità del bar graph (solo LDS)	13
Lamp test	13
PARAMETRI OPERATIVI	13
MESSAGGI DI ERRORE	15
CARATTERISTICHE TECNICHE	17
MANUTENZIONE	19
DEFAULT PARAMETERS	A.1

- OUTLINE AND CUT OUT DIMENSIONS
- DIMENSIONS ET PERCAGE
- MESSUNGEN UND FRONTTAFELAUSCHNITT
- DIMENSIONI E FORATURA



IV

MOUNTING REQUIREMENTS

Select a mounting location where there is minimum vibration and the ambient temperature range between 0 and 50 °C.

The instrument can be mounted on a panel up to 15 mm thick with a square cutout of 45 x 45 mm. For outline and cutout dimensions refer to page IV.

The surface texture of the panel must be better than 6,3 µm.

The instrument is shipped with rubber panel gasket (50 to 60 Sh).

To assure the IP65 and NEMA 4 protection, insert the panel gasket between the instrument and the panel as show in fig. 1.

While holding the instrument against the panel proceed as follows:

- 1) insert the gasket in the instrument case;
- 2) insert the instrument in the panel cutout;
- 3) pushing the instrument against the panel, insert the mounting bracket;
- 4) with a screwdriver, turn the screws with a torque between 0.3 and 0.4 Nm.

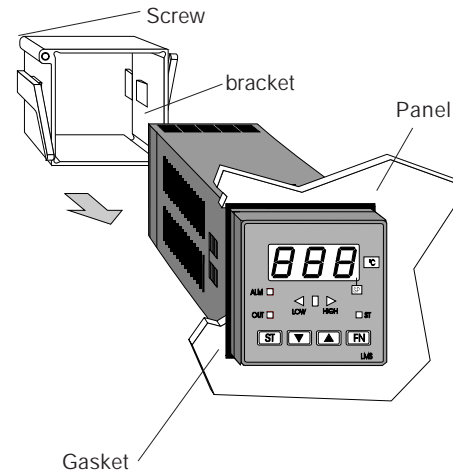


Fig. 1

CONNECTION DIAGRAMS

Connections are to be made with the instrument housing installed in its proper location.

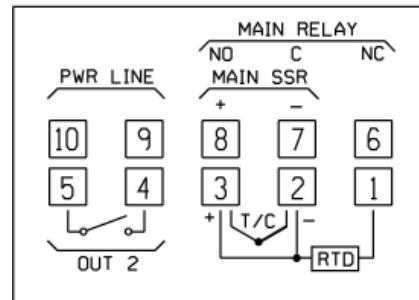


Fig. 2 REAR TERMINAL BLOCK

A) MEASURING INPUTS

NOTE: Any external components (like zener barriers etc.) connected between sensor and input terminals may cause errors in measurement due to excessive and/or not balanced line resistance or possible leakage currents.

TC INPUT

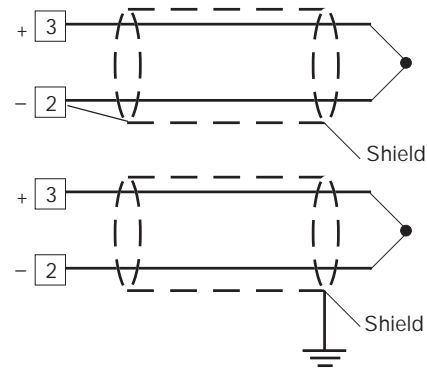


Fig. 4 THERMOCOUPLE INPUT WIRING

NOTE:

- 1) Don't run input wires together with power cables.
- 2) For TC wiring use proper compensating cable preferable shielded.
- 3) when a shielded cable is used, it should be connected at one point only.

RTD INPUT

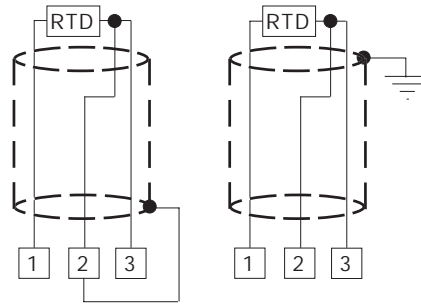


Fig. 5 RTD INPUT WIRING

NOTE:

- 1) Don't run input wires together with power cables.
- 2) Pay attention to the line resistance; a resistance higher than 20 Ω /wire may cause measurement errors.
- 3) When shielded cable is used, it should be grounded at one side only to avoid ground loop currents.
- 4) The resistance of the 3 wires must be the same.

B) RELAY OUTPUTS

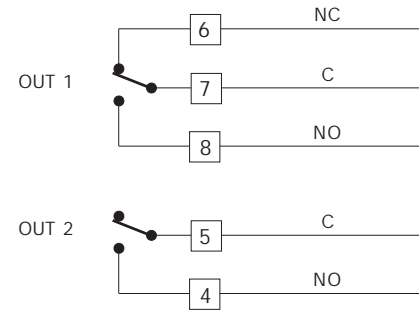


Fig. 6 RELAY OUTPUTS WIRING

The OUT 1 NO contact and the OUT 2 contact are protected by varistor against inductive load with inductive component up to 0.5 A.

The contact rating of the OUT 1 is 3A/250V AC on resistive load.

The contact rating of the OUT 2 is 1A/250V AC on resistive load.

The number of operations is 1×10^5 at specified rating.

- #### NOTES
- 1) To avoid electric shock, connect power line at the end of the wiring procedure.
 - 2) For power connections use No 16 AWG or larger wires rated for at least 75 °C.
 - 3) Use copper conductors only.
 - 4) Don't run input wires together with power cables.

The following recommendations avoid serious problems which may occur, when using relay output for driving inductive loads.

INDUCTIVE LOADS

High voltage transients may occur when switching inductive loads.

Through the internal contacts these transients may introduce disturbances which can affect the performance of the instrument.

The internal protection (varistor) assures a correct protection up to 0.5 A of inductive component but the OUT 1 NC contact is not protected.

The same problem may occur when a switch is in series with the internal contacts as shown in Fig. 7.

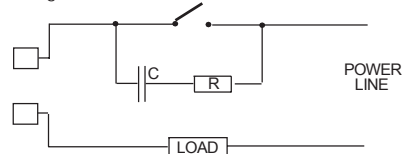


Fig. 7 EXTERNAL SWITCH IN SERIES WITH THE INTERNAL CONTACT

In this cases it is recommended to install an additional RC network across the external contact as show in Fig. 7

The value of capacitor (C) and resistor (R) are shown in the following table.

LOAD (mA)	C (μF)	R (Ω)	P. (W)	OPERATING VOLTAGE
<40 mA	0.047	100	1/2	260 V AC
<150 mA	0.1	22	2	260 V AC
<0.5 A	0.33	47	2	260 V AC

Anyway the cable involved in relay output wiring must be as far away as possible from input or communication cables.

VOLTAGE OUTPUTS FOR SSR DRIVE

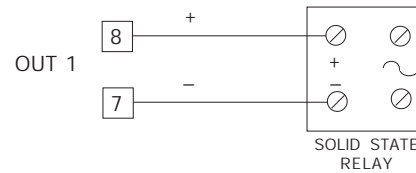


Fig. 8 SSR DRIVE OUTPUT WIRING

It is a time proportioning output.

Logic level 0: Vout < 0.5 V DC.

Logic level 1:

- 14 V + 20 % @ 20 mA

- 24 V + 20 % @ 1 mA.

Maximum current = 20 mA.

NOTE: This output is not isolated.

A duple or reinforced Isolation between instrument output and power supply must be assured by the external solid state relay.

A) POWER LINE WIRING

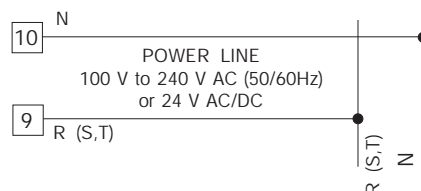


Fig. 3 POWER LINE WIRING

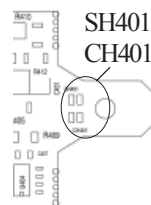
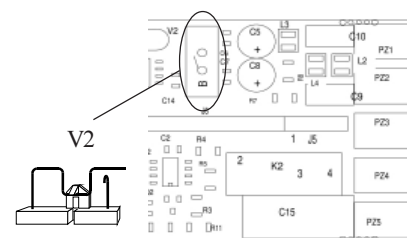
NOTE:

- 1) Before connecting the instrument to the power line, make sure that line voltage corresponds to the description on the identification label.
- 2) To avoid electric shock, connect power line at the end of the wiring procedure.
- 3) For supply connections use No 16 AWG or larger wires rated for at least 75 °C.
- 4) Use copper conductors only.
- 5) Don't run input wires together with power cables.
- 6) For 24 V AC/DC the polarity is a do not care condition.
- 7) The power supply input has NO fuse protection. Please, provide externally a T type 1A, 250 V fuse.
- 8) The safety requirements for Permanently Connected Equipment say:
 - a switch or circuit-breaker shall be included in the building installation;
 - It shall be in close proximity to the equipment and within easy reach of the operator;
 - it shall be marked as the disconnecting device for the equipment.

NOTE: a single switch or circuit-breaker can drive more than one instrument.

PRELIMINARY HARDWARE SETTINGS

- 1) Remove the instrument from its case.
- 2) Set the internal switch V2 in open condition



3) These device are able to detect leads break for TC and RTD inputs. It shows this status as an overrange condition as standard factory setting.
For termocouple input only, it is possible, if underrange indication is desired, to set SH401 and CH401 in accordance with the following table .

Fig. 9

SH401	CH401	Indication
open	close	overrange (standard)
close	open	underrange

4) If, during configuration procedure, a readout in °F has been selected, it is necessary to put on the front of the instrument, the additional label, located at the INDEX page, in order to cover the °C indication.



- 5) Re-insert the instrument.
 6) Switch the instrument "ON".
 The display will show CONF.
NOTE : If "CAL" indication is displayed, press immediately the ▲ pushbutton to return to the configuration procedure.
 7) Push the FN pushbutton.
 Models LMS and LHS show, on the lower display the parameter code and on the upper display the actual parameter value.
 Model LDS shows the parameter code and its value alternately on the display.

GENERAL NOTES for configuration.

- FN = This will memorize the new value of the selected parameter and go to the next parameter (increasing order).
 ST = This will scroll back the parameters without memorization of the new value.
 ▲ = This will increase the value of the selected parameter
 ▼ = This will decrease the value of the selected parameter.

CONFIGURATION PROCEDURE

P1 - Input type and standard range

0 = TC type	L	range	0 / +800 °C
1 = TC type	J	range	0 / +800 °C
2 = TC type	K	range	0 / +999 °C
3 = TC type	N	range	0 / +999 °C
4 = RTD type	Pt 100	range	-199 / +500 °C
5 = RTD type	Pt 100	range	-19.9 / +99.9 °C
6 = TCtype	T	range	0 / +400 °C
8 = TC type	L	range	0 / +999 °F
9 = TC type	J	range	0 / +999 °F
10 = TC type	K	range	0 / +999 °F
11 = TC type	N	range	0 / +999 °F
12 = RTD type	Pt 100	range	-199 / +999 °F
13 = TC type	T	range	0 / +752 °F

NOTE: setting a readout with °F as engineering unit it is necessary to put on the front of the instrument, the additional label located in the "INDEX" of this manual.

P2 = Initial scale value

Not present when P1 = 5
 Insert the initial and full scale values which are going to be used by the PID algorithm to calculate the input span.

P3 = Full scale value

Not present when P1 = 5
 Insert the initial and full scale values which are going to be used by the PID algorithm to calculate the input span.

NOTES:

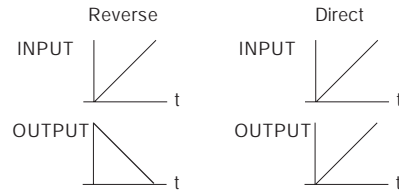
- 1) the minimum input span (P3 - P2) is 300 °C or 600 °F for TC input and 100 °C or 200 °F for RTD input.
- 2) Changing P2 and/or P3 parameters, the rL and rH parameters will be realigned to it.

P4 = Main output action

The LHS skips this parameter when P5 = 5

r = reverse action (heating)

d = direct action (cooling)



P5 = Output 2 functions

0 = Not provided

1 = Process alarm

2 = Band alarm

3 = Deviation alarm

4 = instrument failure indicator

5 = cooling output (LHS only)

NOTE: for the model LHS, when P5 = 5 the P4 parameter is forced to "r".

P6 = Output 2 operative mode.

P6 is available only when P5 is different from 0.

When P5 = 1,2 or 3

H.A = high alarm (outside band) with automatic reset

L.A = low alarm (inside band) with automatic reset

H.L = high alarm (outside band) with manual reset

L.AL = low alarm (inside band) with manual reset

When P5 = 4 these selections H.A and L.A show an instrument failure indicator with automatic reset while the H.L and L.L selections show an instrument failure indicator with manual reset.

When P5=5 (LHS only) this parameter selects the cooling medium.

Air = Air

OIL = Oil

H2O = Water

NOTE: different set of cooling medium produce the automatic modification of the relative cooling gain and of the cooling cycle time.

P6	C	RCG
Air	10 (s)	1
OIL	4 (s)	0.8
H2O	2 (s)	0.4

P7 = Alarm action

Available only when P5 is different from 0 or 5.

r = reverse (relay de-energized in alarm condition)

d = direct (relay energized in alarm condition)

P8 = Stand by of the alarm

Available only when P5 is different from 0,4 or 5.

OFF = stand by disabled

ON = stand by enabled

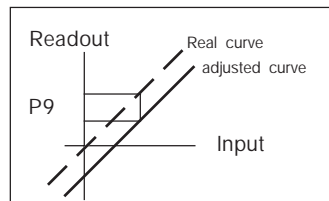
NOTE: the alarm stand by function allows to disable the alarm indication at instrument start up and/or after a set point modification until the process variable reach the alarm threshold.

P9 = OFFSET applied to the measured value

This OFFSET is applied along the whole range.

When P1 = 5 P9 is programmable from -19.9 to 19.9 °C.

When P1 ≠ 5 P9 is programmable from -199 to 199 °C or °F.





P10 = Threshold of the "Soft Start" function.

The "Soft start" function allows to limit the maximum output power (see OLH operative parameter) for a programmable time (see tOL operative parameter) at the instrument start up when the measured value is lower then the programmable threshold. Insert the threshold value, in eng. unit.

P11 = Safety lock

- 0 = device unlocked. All the parameters can be modified
- 1 = device locked. No one of the parameters can be modified except the SP.
- 2 to 499 = Select the secret code (to be remembered) and **during the "operative mode"** and scrolling the "software key" parameter, the display will show one of the following figures:

- A)  The device is "Unlocked" and all parameters can be modified.
To make the device "Locked" insert a number different from the "secret code". Now no one of the parameters can be modified except the SP.

- B)  The device is "locked" and no one of the parameters can be modified except the SP.
To "Unlock" the device, insert the "secret code".

500 to 999 = Selecting a secret code between these two numbers, every thing will occur as explained above except that when the device is "Locked" the parameters that can be modified are the set point and the alarm threshold.

P12 = output maximum rate of rise

This parameter is available only if Pb is different from 0.

It is programmable from 1 to 10 % of the output signal per second.

Setting a value greater then 10%/s the instrument shows "InF" and no ramp limitation is applied.

P13 = Deviation bar graph resolution (LDS only)

For RTD input with decimal figure, P13 is is programmable from 0.2 to 20.0 °C.

For all the other inputs, it is programmable from 2 to 200 engineering units.

The configuration procedure is completed and the instrument shows "----" on both displays.

When it is desired to end the configuration procedure push the FN pushbutton; the display will show "CO nF".

When it is desired to access to the advanced configuration parameter procede as follows:

- 1) using ▲ and ▼ pushbutton set the 219 code.
- 2) push the FN pushbutton.

P14 - Display of the protect parameter enabling/disabling.

This parameter is available only if P11 is different from 0.

This parameter allows to enable/disable the display of the protected parameter during "operative mode".

OFF = protected parameter cannot be displayed
ON = protected parameter can be displayed

P15 - SMART function enabling/ disabling

0 = The SMART function is disabled

1 = The SMART function enabling/disabling is NOT protected by the safety key.

2 = The SMART function enabling/disabling is protected by the safety key.

P16 - Maximum value of the proportional band settable by the SMART function

This parameter may be programmed from P17 or P18 value to 99.9.

P17 - Minimum value of the proportional band settable by the SMART function in heating control only.

This parameter is present only if P5 is different from 5.

It may be programmed from 1.0% to P16 value.

P18 - Minimum value of the proportional band settable by the SMART function in heating/ cooling control only (LHS)

This parameter is present only when P5 is equal to 5.

This parameter may be programmed from 1.5% to P17 value.

P19 - Automatic modification of "relative cooling gain" (LHS)

This parameter is present only when P5 is equal to 5.

OFF = the SMART function do **not** modify the "relative cooling gain" parameter.

ON = the SMART function modify the "relative cooling gain" parameter.

P20 - Minimum value of integral time settable by SMART function.

P20 is programmable from 00.1 (10 seconds) to 02.0 (2 minutes).

P21 = Extension of the anti-reset-wind up

Range: from -30 to +30 % of the proportional band.

NOTE: a positive value increases the high limit of the anti-reset-wind up (over set point) while a negative value decreases the low limit of the anti-reset-wind up (under set point).

The advanced configuration procedure is completed and the instrument shows " CnF" on the display.

OPERATIVE MODE

PRELIMINARY

To make the instrument operative as controller the internal switch V2 located on the input card (see Fig. 9) must be closed.

It is assumed, at this point, that the instrument has been correctly configured as detailed in Section 3.

- Models LMS and LHS show on the upper display the measured value and on the lower display the programmed set point value (we define this display condition as "normal display mode").
- Model LDS shows the measured value or the set point value (in this case the SP LED will be flashing). In order to revert the indication push the ▲ pushbutton. (We define this display condition as "normal display mode").

Pressing the FN pushbutton it is possible to scroll all the parameters.

- Models LMS and LHS show on the lower display the abbreviated names and on the upper display the parameters value.
- Model LDS will alternate its reading between the parameter code and its value and, during modification, it will show only the parameter value.

To modify a parameter, first select the desired parameter by the FN pushbutton, then set the new value by ▲ or ▼ pushbuttons. Press FN pushbutton to memorize the new value and step to the next parameter.

NOTE: 1) If, during parameter modification, no pushbutton is pressed for more than 10 seconds, the instrument reverts

automatically to the "normal display mode" and the new setting of the last parameter will be lost.

- 2) The instrument doesn't displays all the parameters.
It select the parameters in accordance with:
 - a) The instrument configuration in general (see chapter 3),
 - b) The P14 parameter in particular (see chapter 3),
 - c) The set of the proportional band (see page 4.2).

INDICATORS

- ST Flashing when the first part of the SMART algorithm is active.
Lit when the second part of the SMART algorithm is active.
- OUT Lit when the OUT 1 is in ON condition.
- ALM/COOL - Lit when the alarm 1 is in the alarm state or, for LDS only, when this output is used as time proportioning control output and it is in ON condition.
- SP (LDS only) Flashing when the display shows the operative set point.

Pushbuttons function:

- FN = It allows to memorize the new value of the selected parameter and go to the next parameter (increasing order).
- ST = It allows to enable or disable the SMART function and to scroll back all the parameters without storing them.
- ▲ = It allows to increase the value of the selected parameter or (LDS only) to display the set point value or the measured value.
- ▼ = It allows to decrease the value of the selected parameter.
- ▼ + FN = allows to enable/disable the "LAMP TEST"

NOTE: a 10 seconds time out become operational during parameter modification. If, during operative parameter modification, no pushbutton is pressed during this time out, the instrument reverts automatically to the "normal display mode". The new setting of the last parameter modified is going to be memorized, prior to the time out, only if the FN pushbutton was depressed.

MANUAL RESET OF THE ALARMS

If the alarm has been configured as a latched alarm, the alarm status persists also after the alarm condition disappears. When it is desired to reset the alarm, pushing FN pushbutton select the "n.rS" parameter (the display will show "n.rS" and "OFF"). By the ▲ and ▼ pushbuttons select "ON" and push the FN pushbutton again. The alarm reset action will be successful if the alarm condition has disappeared only.

SMART ALGORITHM

It is used to obtain automatically the best control action.

To enable the SMART function, push the ST pushbutton for more than 1,5 s, when the instrument is in normal display mode. The ST LED will lit continuously or flashing according to the algorithm automatically selected.

When the smart function is enabled, it is possible to display but not to modify the control parameters (PB, TI, TD and rC).

When the traditional control (PID) is desired, push the ST pushbutton again (for more than 1.5 s) to turn the "SMART" OFF. The instrument maintains the actual set of control parameters and allows parameter modification.

NOTES:

- 1) During the SMART function operation, the relative cooling gain (if present and controlled by SMART) is limited within the following ranges:

Cooling element	range
Air	0.85 to 1.00
OIL	0.80 to 0.90
H ₂ O	0.30 to 0.60
- 2) The SMART function use a derivative time equal to 1/4 of the integral time.
- 3) The limits of the proportional band settable by the SMART function is programmed by P16, P17 and P18 parameters.
- 4) The lower limit of the integral time settable by SMART function is programmed by P20 parameter.
- 5) When ON/OFF control is programmed (PB=0), the SMART function is disabled.
- 6) The SMART enabling/disabling can be protected by the safety lock (see P15 parameter).

OUTPUT POWER OFF

These products allow to turn OFF, manually, the output signal in order to stop the control. To turn OFF the output signal, push continuously the ▲ pushbutton first and then push FN pushbutton.

Maintaining pressure on both of them for more than 3 seconds, the instrument will show "OFF" instead of the set point value.

For LDS model, since it has only one display, it is possible to toggle from "OFF" to measured value by depressing the ▲ pushbutton (the LEDs of the bargraph will be flashing to show that the instrument is working as an indicator only).

In the output power off condition the alarms are in no alarm condition (the alarm output status depends by the type of alarm action programmed) and the parameters can be re-viewed and modified.

When it is desired to come back to the normal control, push continuously the ▲ pushbutton first and then push the FN pushbuttons.

Maintaining the pressures on both of them for more than 3 seconds, the instrument returns in NORMAL DISPLAY MODE.

NOTES :

- 1) If the output is turned OFF when the SMART function was performing the first part of the algorithm (LED ST is flashing), the SMART function will be aborted and when the instrument comes back to the normal control, the SMART function will be disabled. If the output is turned OFF when the SMART function was performing the second part of the algorithm (LED ST is lighting), the SMART function will be stopped and, when the instrument comes back to the normal control, the smart function also will be activated.
- 2) If the instrument is turned OFF with the output power off function enabled, at the next start up

the instrument will automatically enabled again this function.

DIRECT ACCESS TO THE SET POINT MODIFICATION

The instrument allows to modified the set point value without to use the FN pushbutton. When a direct access to set point modification is required, proceed as follow:

- 1) Push, for more than 3 seconds, the ▲ or ▼ pushbutton; the set point value, will be displayed and it will start to change.
- 2) Using the ▲ and ▼ pushbuttons, it is possible to set the desired value.
- 3) When the desired value is reached, do not push any pushbutton for more than 3 second, the new set point will become operative after 3 second from the last pushbutton pressure.

If, during this procedure, there is no interest in memorizing the new value, push the FN pushbutton; the instrument returns automatically to the normal display mode without having memorized the new set point.

DISPLAY OF THE SET POINT VALUE (LDS only)

To display the programmed set point value push the ▲ pushbutton.

The display will show the set point value and the decimal point of the last significant digit will flash to indicate that the number shown is the set point value.

To come back to display the measured value, push the ▲ pushbutton again.

BARGRAPH OPERATING (LDS only)

The 3 LEDs bargraph shows the deviation between the measured value and the set point value.

The central LED (green) is lit when the deviation is lower than one half of the value programmed with P13 parameter.

If the deviation is higher than 1/2 P13 but lower than 3/2 P13, one of the red LED will be lit (the right or the left LED according to the deviation direction).

When the deviation is higher than 3/2 P13 the relative LED (left or right) will be flashing.

LAMP TEST

When it is desired to verify the display efficiency, push ▼ + FN pushbuttons. the instrument will turn ON, with a 50 %duty cycle, all the LED of the display (we define this function "LAMP TEST"). No time out is applied to the LAMP TEST.

When it is desired to come back to the normal display mode, push ▼ + FN pushbuttons again. No other keyboard function are available during LAMP TEST.

OPERATIVE PARAMETERS

The following is a list of all the available control parameters. Note that some parameters may be not visualized according to the specific instrument configuration.

Push the FN pushbutton, the lower display will show the code while the upper display will shows the value or the status (ON or OFF) of the selected parameter.

By ▲ or ▼ pushbutton it is possible to set the desired value or the desired status.

Pushing the FN pushbutton, the instrument memorizes the new value (or the new status) and goes to the next parameter.

Param.	DESCRIPTION
SP	Set point (in eng. units). Range: from rL to rH.
n.r.S	Manual reset of the alarms. This parameter is available only when one alarm with manual reset has been programmed.
nnn	Set ON and push the FN pushbutton to reset the alarms. Software key for parameter protection. This parameter is skipped if P11 = 0 or 1 ON = the instrument is in LOCK condition OFF = the instrument is in UNLOCK condition When it is desired to switch from LOCK to UNLOCK condition, set a value equal to P11 parameter. When it is desired to switch from UNLOCK to LOCK condition, set a value different from P11 parameter.
AL	Alarm threshold (in eng. units). This parameters is present if the alarm



	is configured only. Ranges: - From P2 to P3 for process alarm. - From 0 to 500 units for band alarm. - From -199 to 500 units for deviation alarm.			
HSA	Alarm hysteresis (in % of P3 - P2 span) This parameters is present if the alarm is configured only. Range:From 0.1% to 10.0% of the input span or 1 LSD. Note: If the hysteresis of a band alarm is larger than the alarm band, the instrument will use an hysteresis value equal to the alarm band minus 1 digit.		IP	Pb=0 (ON/OFF action). Range: from 1 s to 9 min. and 59 s; if 0 is set, the derivative action is excluded. Integral pre-loadThis parameter is skipped when PB = 0. Range: - from 0 to 100% for one control output - from -100 to 100% for two control outputs (LHS only).
Pb	Proportional band (in % of P3 - P2 span) Range: from 1.0 % to 99.9 % of span for heating output. From 1.5 % to 99.9 % of span for heating/cooling output (LHS). When PB parameter is set to 0, the instrument performs an ON-OFF control; the ti, td, C, C2, rC, OLP, OLH and tOL parameters are skipped and SMART function is disabled.		C	Output 1 (heating) cycle time (in seconds) This parameter is present if PB parameter is different from 0 only. Range:From 1 to 200 s.
			C2	Output 2 (cooling cycle time (LHS only) This parameter is available only if P5=5. Range:From 1 to 200 s.
			rC	Relative Cooling gain (LHS only). This parameter is present if P5 = 5 and PB parameter is different from 0 only. Range: from 0.20 to 1.00
HS	Hysteresis for ON/OFF control action (in % of P3 - P2 span) This paameter is available only when Pb=0. Range: from 0.1% to 10.0% of the input span.		OLP	Dead band/Overlap between H/C outputs (LHS only). This parameter is present if P5 = 5 and PB parameter is different from 0 only. Range: from -20 to 50 % of the proportional band. A negative OLAP value shows a dead band while a positive value shows an overlap.
ti	Integral time (in minutes and seconds [mm.ss]). This parameter is skipped if Pb=0 (ON/OFF action). Range: from 00.1 to 20.0 [mm.ss]. Above this value the display blanks and integral action is excluded		rL	Set point low limit (in eng. units). Range: from min. range value (P2) to rH. Note: When P2 has been modified, rL will be realigned to it.
td	Derivative time (in minutes and seconds [mm.ss]). This parameter is skipped if		rH	Set point high limit (in eng. units). Range:from rL to full scale value (P3). Note: When P3 has been modified, rH will be realigned to it



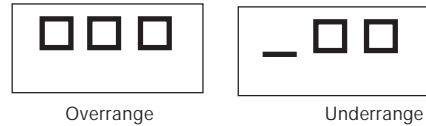
OLH Output high limit (in % of the output).
 This parameter is present if PB parameter is different from 0 only.
 Range:
 - From 0.0 to 100.0 when device is configured with one control output.
 - From -100.0 to 100.0 when device is configured with two control outputs (LHS only).

tOL Time duration of the output power limiter.
 The tOL is a programmable time in which the output level is limited to OLH value.
 The count of this time starts at instrument switching on if the measured variable is less than the threshold value programmed (P10 parameter).
 This parameter is present if PB parameter is different from 0 only.
 Range: from 1 minute to 100 minutes.
 Above this limit, the upper display shows "InF" and the limiter will be ever enabled independently from P10 parameter value.
Note: The tOL can be modified but the new value will become operative only at the next instrument start up.

ERROR MESSAGES

OVERRANGE, UNDERRANGE AND BURN-OUT INDICATIONS

The instrument shows the OVERRANGE and UNDERRANGE conditions with the following indications:



The sensor leads break can be signalled as:
 - for TC input : OVERRANGE or UNDERRANGE selected by a solder jumper (see chapter 3)
 - for RTD input : OVERRANGE

Sensor leads short circuit detection:
 On RTD input, a special test is provided to signal OVERRANGE when input resistance is less than 15 ohm (Short circuit sensor detection).

NOTE: When:

- The instrument is set for one output only and an OVERRANGE is detected, the OUT 1 turns OFF (if reverse action) or ON (if direct action).
- The instrument is set for heating/cooling action and an OVERRANGE is detected, OUT 1 turns OFF and OUT 2 turns ON.
- The instrument is set for one output only and an UNDERRANGE is detected, the OUT 1 turns ON (if reverse action) or OFF (if direct action).
- The instrument is set for heating/cooling action and an UNDERRANGE is detected, OUT 1 turns ON and OUT 2 turns OFF.

NOTE: when an overrange or an underrange is detected, the alarm operate as in presence of the maximum or the minimum measurable value respectively.

To eliminate the OUT OF RANGE condition, proceed as follows:

- 1) Check the input signal source and the connecting line.
- 2) Make sure that the input signal is in accordance with instrument configuration. Otherwise, modify the input configuration (see chapter 3.2).
- 3) If no error is detected, send back the instrument to your supplier for a check.

ERRORS

Diagnostics are made at instrument switch-on and during normal mode of operation. If a fault condition (error) is detected, the lower display will show the message "Er" while the upper display shows the relative error code. For LDS model, the display will show alternatly "Er" and the error number. The following is a list of possible errors in numerical order. Also causes, instrument output conditions and possible remedies are briefly described. Some errors reset the instrument; if the error persist, send back the instrument to your supplier.

ERROR LIST

100	Write EEPROM error.
150	General hardware error on the CPU card.
200	Tentative to write on protected memory.
201 - 2xx	Configuration parameter error. The two less significant digit's shown the number of the wrong parameter (ex. 209 Err show an Error on P9 parameter)
301	RTD calibration error.
305	Thermocouple input calibration error.
307	RJ input calibration error
400	Control parameters error
500	Auto-zero error
502	RJ error
510	Error during calibration procedure

NOTE

- 1) When a configuration parameter error is detected, it is sufficient to repeat the configuration procedure of the specify parameter.
- 2) If an error 400 is detected, push contemporarily the ▼ and ▲ pushbuttons for loading the default parameters then repeat control parameter setting.
- 3) For all the other errors, contact your supplier.

GENERAL INFORMATION

GENERAL SPECIFICATIONS

Case: ABS grey color (RAL 7043); self-extinguishing degree: V-0 according to UL 94.

Front protection - designed for IP 65 (*) and NEMA 4X (*) for indoor locations (when panel gasket is installed).

(*) Test were performed in accordance with CEI 70-1 and NEMA 250-1991 STD.

Installation: panel mounting by means of mounting bracket. Instrument removable from case.

Rear terminal block: 10 screw terminals (screw M3, for cables from ϕ 0.25 to ϕ 2.5 mm² or from AWG 22 to AWG 14) with connection diagrams and safety rear cover.

Dimensions: 48 x 48 mm, depth 100 mm (DIN 43700).

Weight: 160 g max.

Power supply:

- 100V to 240V AC 50/60Hz (-15% to + 10% of the nominal value).

- 24 V AC/DC (+ 10 % of the nominal value).

Power consumption: 6 VA max.

Insulation voltage: 2300 V rms according to EN 61010-1.

Display updating time: 500 ms.

Sampling time: 500 ms.

Resolution: 30000 counts.

Accuracy (@ 25 °C): +0.3% of the input span +1 °C.

Common mode rejection: 120 dB at 50/60 Hz.

Normal mode rejection: 60 dB at 50/60 Hz.

Electromagnetic compatibility and safety requirements: This instrument is marked CE. Therefore, it is conforming to council directives 89/336/EEC and to council directives 73/23/EEC and 93/68/EEC.

Installation category: II

Temperature drift: < 200 ppm/°C (RJ excluded)

< 400 ppm/°C for RTD input with -19.9/99.9 °C range and TC type T.

Reference junction drift: 0.1 °C/°C.

Operative temperature: from 0 to 50 °C.

Storage temperature : -20 to +85 °C

Humidity: from 20 % to 85% RH, non condensing.

Protections:

1) WATCH DOG circuit for automatic restart.

2) DIP SWITCH for protection against tampering of configuration and calibration parameters.

Altitude : this product is not suitable for use above 2000m (6562 ft)

INPUTS

A) THERMOCOUPLE

Type: L, J, K, N, T programmable by front pushbuttons.

Line resistance: max. 100 Ω with error <+0.1% of the input span.

Engineering unit: °C or °F programmable.

Reference junction: automatic compensation from 0 to +50 °C.

Reference junction drift : 0.1 °C/°C.

Burn-out: Up or down scale selectable.

Calibration: according to IEC 584-1 and DIN 43710 - 1977 (TC L)

STANDARD RANGES TABLE

TC type	Measuring ranges	
	°C	°F
L	0 - +800 °C	0 - +999 °F
J	0 - +800 °C	0 - +999 °F
K	0 - +999 °C	0 - +999 °F
N	0 - +999 °C	0 - +999 °F
T	0 - + 400 °C	0 - +752 °F

B) RTD (Resistance Temperature Detector)

Type: Pt 100 3 wires connection.

Current: 135 μ A.

Line resistance: automatic compensation up to 20 Ω /wire with :

- error <+0.1% of the input span for range -19.9 a 99.9 $^{\circ}$ C.

- not measurable error for the other ranges.

Engineering units: $^{\circ}$ C or $^{\circ}$ F programmable.

Burn-out: up scale. **NOTE:** a special test is provided to signal OVERRANGE when input resistance is less than 15 Ω .

Calibration: according to DIN 43760

STANDARD RANGES TABLE

RTD TYPE	Measuring range	
RTD Pt 100	-199 - +500 $^{\circ}$ C	-199 - +999 $^{\circ}$ F
RTD Pt 100	-19.9 - +99.9 $^{\circ}$ C	-----

CONTROL ACTIONS

Control actions: PID + SMART

Proportional band: from 1.0 % (for heating action) or 1.5 % (for heating and cooling action) to 99.9 % of the input span.

Setting Pb = 0 an ON/OFF control is performed.

Hysteresis (for ON/OFF control action): from 0.1 % to 10.0 % of the input span.

Integral time: from 10 seconds to 20 minutes; resolution 10 second. Setting a value upper than 20 minutes the integral action will be excluded.

Derivative time: from 0 to 9 minutes and 59 seconds.

Integral preload:

- from 0 to 100% for one control output.

- from -100 to 100% for two control outputs (LHS only).

Heating cycle time: from 1 to 200 s.

Cooling cycle time: from 1 to 200 s (LHS only).

Relative cooling gain: from 0.20 to 1.00 (LHS only).

NOTE: the PB, TI, TD and RCG parameter may be limited when the SMART function is enabled.

Overlapping/dead band: from - 20 % to 50 % (LHS only)

CONTROL OUTPUTS

OUTPUT 1 - heating:

- a) Relay output with SPDT contact; contact rating 3A / 250 V ac on resistive load.
- b) Logic voltage for SSR drive.
Logic status 1: 24 V +20% @ 1 mA.
14 V +20% @ 20 mA
Logic status 0: <0.5 V

Output action: direct/reverse programmable (not available for LHS used for heating/cooling control).

OUTPUT 2 - cooling (LHS only) / alarm 1

- a) Relay output with SPST contact; contact rating 1A / 250 V ac on resistive load.
By internal jumper it is possible to select the NC or NO contact.

MAINTENANCE

- 1) REMOVE POWER FROM THE POWER SUPPLY TERMINALS AND FROM RELAY OUTPUT TERMINALS
- 2) Remove the instrument from case.
- 3) Using a vacuum cleaner or a compressed air jet (max. 3 kg/cm²) remove all deposit of dust and dirt which may be present on the louvers and on the internal circuits trying to be careful for not damage the electronic components.
- 4) To clean external plastic or rubber parts use only a cloth moistened with:
 - Ethyl Alcohol (pure or denatured) [C₂H₅OH] or
 - Isopropil Alcohol (pure or denatured) [(CH₃)₂CHOH] or
 - Water (H₂O)
- 5) Verify that there are no loose terminals.
- 6) Before re-inserting the instrument in its case, be sure that it is perfectly dry.
- 7) re-insert the instrument and turn it ON.

MONTAGE

Choisir une position propre pour le montage, d'accès facile même à l'arrière et, autant que possible, sans vibrations. La température ambiante doit être comprise entre 0 et 50°C. L'instrument peut être monté sur un panneau d'épaisseur maxi. 15 mm après avoir exécuté un trou de 45 x 45 mm.

Pour les dimensions d'encombrement et de perçage, se reporter à la page IV.

La rugosité superficielle du panneau doit être meilleure que 6,3 µm.

L'instrument est doté d'un joint en caoutchouc pour panneau (de 50 à 60 Sh).

Pour garantir les protections IP65 et NEMA 4, introduire le joint livrée avec l'appareil entre l'instrument et le panneau (voir Figure 1)

Pour fixer l'instrument au panneau, agir comme suit:

- 1) enfiler le joint sur le boîtier de l'instrument,
- 2) introduire l'instrument dans le trou,
- 3) en maintenant fermement l'instrument sur le panneau, introduire la bretelle de fixation
- 4) au moyen d'un tourne-vis, serrer les vis à un couple compris entre 0,3 et 0,4 Nm

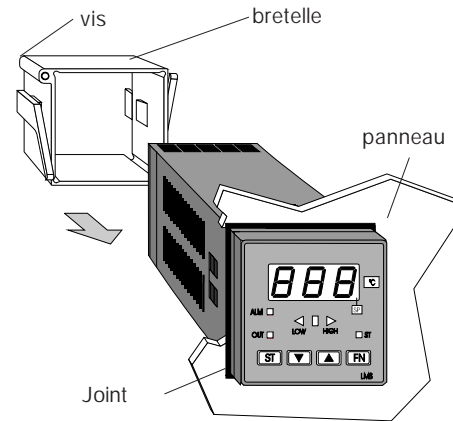


Fig. 1

RACCORDEMENTS ELECTRIQUES

Les raccordements électriques ne doivent être effectués que si le boîtier de l'instrument est régulièrement monté sur le panneau.

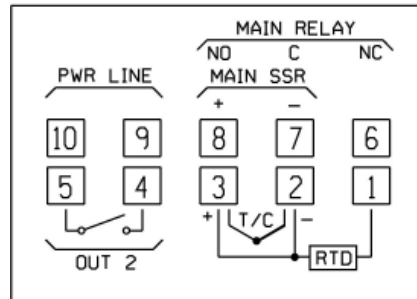


Fig. 2 FACE ARRIERE

A) ENTREES DE MESURE

NOTE: Des éléments extérieurs (ex. barrière zener) raccordés entre le capteur et les bornes d'entrée de l'instrument, peuvent provoquer des erreurs de mesure dues à une impédance trop élevée ou déséquilibrée, ou à la présence de courants de perte.

ENTREE POUR THERMOCOUPLE

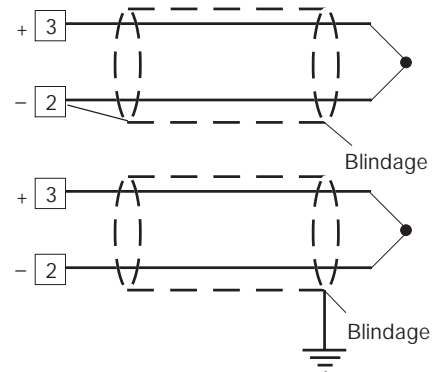


Fig. 4 RACCORDEMENT DE THERMOCOUPLES

NOTES:

- 1) Ne pas placer de câbles de signaux parallèlement ou à proximité des câbles de puissance ou des sources de perturbations
- 2) Pour le raccordement de la TC utiliser un câble de compensation/extension approprié et, autant que possible, blindé.
- 3) Quand on utilise un câble blindé, une seule extrémité du blindage doit être raccordée à la terre.

ENTREE POUR THERMORESISTANCE

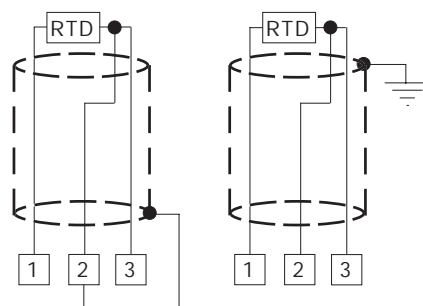


Fig. 5 RACCORDEMENT DE THERMORESISTANCES

NOTE:

- 1) Ne pas placer les câbles des signaux parallèlement ou à proximité des câbles de puissance ou à des sources de perturbations.
- 2) Faire attention aux résistances de ligne, une résistance de ligne trop haute (supérieure à 20 Ω /fil) peut provoquer des erreurs de mesure.
- 3) Quand on utilise un câble blindé, une seule extrémité du blindage doit être raccordée à la terre.
- 4) Les 3 fils doivent avoir la même impédance.

SORTIES A RELAIS

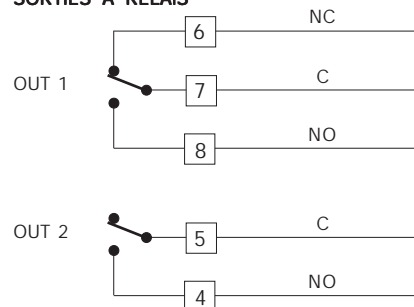


Fig. 6 RACCORDEMENT DES SORTIES A RELAIS

Le contact NO de la sortie 1 et le contact de la sortie 2 sont protégés au moyen de varistances, pour des charges dont la composante inductive maxi. est 0,5 A.

La capacité du contact correspondant à la sortie 1 est égale à 3A/250V c.a. sur charge résistive.

La capacité du contact correspondant aux sorties 2 est égale à 1A/250V c.a. sur charge résistive.

Le nombre d'opérations est égal à 1×10^5 fois la capacité indiquée.

NOTE 1) Pour éviter le risque d'électrocution ne raccorder l'alimentation qu'après avoir effectué tous les autres raccordements.

2) Les raccordements de puissances doivent être effectués à l'aide de câbles n° 16 AWG ou supérieurs, résistant à une température mini. de 75°C.

3) Utiliser exclusivement des conducteurs en cuivre.

4) Ne pas placer les câbles des signaux parallèlement ou à proximité des câbles de

puissance ou à des sources de perturbations. Les recommandations suivantes peuvent éviter de sérieux problèmes causés par l'utilisation des sorties à relais pour piloter les charges inductives.

CHARGES INDUCTIVES

Dans la commutation des charges inductives, certaines charges inductives peuvent provoquer des transitoires et des perturbations qui peuvent compromettre les prestations de l'instrument.

Les protections internes (varistances) garantissent la protection contre les perturbations pour des charges ayant une composante inductive maxi. de 0,5 A.

Des problèmes analogues peuvent être créés par la commutation des charges via un contact extérieur monté en série sur le contact de sortie de l'instrument ou par l'utilisation du contact NC de la sortie 1.

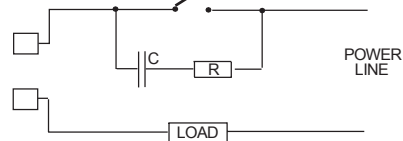


Fig. 7 CONTACT EXTERIEUR MONTE EN SERIE SUR LE CONTACT DE SORTIE DE L'INSTRUMENT

En de tels cas, nous recommandons de raccorder un filtre RC en parallèle avec le contact extérieur, suivant les indications fig. 7

Les valeurs de la capacité (C) et de la résistance (R) sont indiquées au tableau suivant:

CHARGE (mA)	C (mF)	R (W)	P. (W)	Tension de service
<40 mA	0.047	100	1/2	260 V AC
<150 mA	0.1	22	2	260 V AC
<0.5 A	0.33	47	2	260 V AC

De toute façon, les câbles raccordés aux sorties à relais, doivent être aussi éloignés plus que possible des câbles des signaux.

SORTIE LOGIQUE POUR LA COMMANDE DE SSR

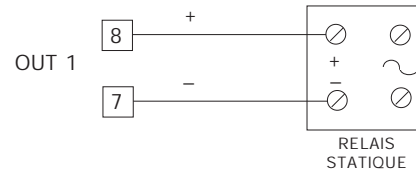


Fig. 8 RACCORDEMENT POUR LE PILOTAGE DE RELAIS STATIQUES

Il s'agit d'une sortie à temps proportionnel.

Niveau logique 0: $V_{out} < 0.5$ V c.c.

Niveau logique 1: Courant maxi. = 20 mA.

- 14 V + 20 % @ 20 mA

- 24 V + 20 % @ 1 mA.

NOTE: Cette sortie N'EST PAS isolée.

Un isolement double ou renforcé entre l'instrument et la ligne de puissance doit être effectué par le relais statique extérieur.

C) ALIMENTATION

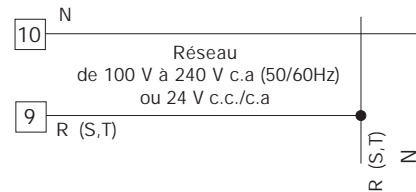


Fig. 3 RACCORDEMENT A L'ALIMENTATION

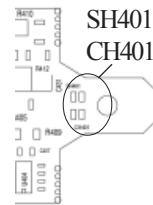
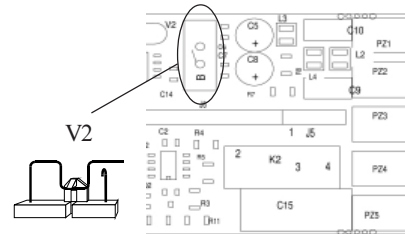
NOTE:

- 1) Avant de raccorder l'instrument au réseau, vérifier que la tension de ligne correspond aux indications de la plaque signalétique de l'instrument.
- 2) Pour éviter le risque d'électrocution ne raccorder l'alimentation qu'après avoir effectué tous les autres raccordements.
- 3) Le raccordement au réseau doit être effectué à l'aide de câbles n° 16 AWG ou supérieurs, résistant à une température mini. de 75°C.
- 4) Utiliser exclusivement des conducteurs en cuivre.
- 5) Eviter de placer les câbles des signaux parallèlement ou à proximité des câbles de puissance ou des sources de perturbations.
- 6) En cas d'alimentation 24 V c.c./c.a. la polarité n'a aucune importance.
- 7) Les circuits d'alimentation NE sont PAS protégés par un fusible, nous conseillons d'en prévoir un à l'extérieur ayant les caractéristiques suivantes:
Fusible type T, 1 A, 250V.
- 8) Les normes sur la sécurité concernant les instruments raccordés en permanence à l'alimentation électrique exigent:
 - un interrupteur ou un disjoncteur sur l'installation électrique de l'immeuble;
 - cet interrupteur doit se trouver à proximité de l'instrument et l'opérateur doit pouvoir y accéder facilement;
 - cet interrupteur doit être marqué comme le dispositif de coupure de l'instrument.

NOTE: un seul interrupteur ou disjoncteur peut commander plusieurs instruments.

MISE AU POINT PRELIMINAIRE DU MATERIEL INFORMATIQUE

- 1) Extraire l'instrument de son boîtier.
- 2) Positionner le contact interne V2 sur la position ouverte.



3) Ces instruments permettent de relever l'ouverture du circuit d'entrée(TC ou RTD) visualisé comme une condition de dépassement d'échelle positif. Uniquement pour les thermocouples ou peut sélectionner, au moyen des contacts SH401 et CH401 indiqués sur la fig. ci-contre, le type d'indication que l'on désire obtenir en cas de thermocouple ouvert.

Fig. 9

SH401	CH401	Indication
ouvert	fermé	Dép. éch. pos.(Std)
fermé	ouvert	Dép. échelle nég.

- 4) Si l'instrument a été programmé pour la visualisation en °F, appliquer l'étiquette supplémentaire, située sur la page de l'INDEX, sur le panneau avant de l'instrument pour couvrir l'unité technique (°C)



- 5) Rebrancher l'instrument.
 6) Alimenter l'instrument.
 L'instrument visualise: "CnF".
ATTENTION: Si l'instrument visualise l'indication "CAL" appuyer immédiatement sur la touche ▲ pour retourner à la phase de configuration.
 7) Appuyer sur la touche FN.
 Pour LMS-LHS, l'indicateur inférieur visualise le code du paramètre sélectionné tandis que l'indicateur supérieur en visualise la nouvelle valeur.
 Pour LDS le code du paramètre et sa valeur correspondante sont visualisés alternativement.

NOTES GENERALES de configuration.

- FN = Permet de mémoriser la nouvelle valeur du paramètre sélectionné et passer au paramètre suivant (ordre croissant).
 ST = Permet de visualiser les paramètres en ordre décroissant, sans mémoriser les nouvelles valeurs.
 ▲ = Permet d'augmenter la valeur du paramètre sélectionné.
 ▼ = Permet de diminuer la valeur du paramètre sélectionné.

PROCEDURE DE CONFIGURATION

P1 - Type d'entrée et échelle standard

- 0 = TC type L échelle 0 / +800 °C
- 1 = TC type J échelle 0 / +800 °C
- 2 = TC type K échelle 0 / +999 °C
- 3 = TC type N échelle 0 / +999 °C
- 4 = RTD type Pt 100 échelle -199 / +500 °C
- 5 = RTD type Pt 100 échelle -19.9 / +99.9 °C
- 6 = TC type T échelle 0 / +400 °C
- 8 = TC type L échelle 0 / +999 °F
- 9 = TC type J échelle 0 / +999 °F
- 10 = TC type K échelle 0 / +999 °F
- 11 = TC type N échelle 0 / +999 °F
- 12 = RTD type Pt 100 échelle -199 / +999 °F
- 13 = TC type T échelle 0 / +752 °F

NOTE: Pour les échelles de mesure en °F, on dispose d'une étiquette collante indiquant °F à coller sur le panneau avant de l'instrument. Cette étiquette, reportée sur "INDEX" de ce manuel, doit être placée sur l'indication °C.

P2 = Echelle mini.

Non disponible si P1 = 5
 Valeur d'échelle mini. utilisée par l'algorithme PID pour les calcul de l'étendue de l'échelle d'utilisation.

P3 = Echelle maxi.

Non disponible si P1 = 5
 Valeur d'échelle maxi. utilisée par l'algorithme PID

NOTES:

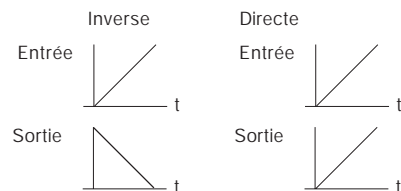
- 1) l'étendue de l'échelle d'utilisation programmée (P3 - P2) doit être supérieure à 300 °C ou 600 °F pour l'entrée de thermocouple; 100 °C ou 200 °F pour l'entrée de thermorésistance.
- 2) En modifiant la valeur de P3 et/ou P4, les paramètres rL et rH seront automatiquement alignés respectivement à la nouvelle valeur de P3 et P4.

P4 = Action de la sortie principale

Dans LHS ce paramètre ne sera pas utilisé si P5=5

r = inverse (Chauffage)

d = directe (Refroidissement)



P5 = Fonction de la sortie 2

0 = Non prévue

1 = Alarme de procédé

2 = Alarme de bande

3 = Alarme de déviation

4 = Alarme d'anomalie

5 = Sortie de refroidissement (seulement LHS)

NOTE : seulement pour le modèle LHS, si P5 = 5, le paramètre P4 prend automatiquement la valeur "r".

P6 = Dialogue utilisateur sortie 2

P6 n'est pas visualisé quand P5 = 0.

Si P5=1,2 ou 3

H.A. = maximum (hors bande) avec acquit automatique

L.A. = minimum (à l'intérieur de la bande) avec acquit automatique

H.L. = maximum (hors bande) avec acquit manuel

L.L. = minimum (à l'intérieur de la bande) avec acquit manuel.

Quand P5=4, les sélections H.A et L.A indiquent une alarme d'anomalie avec acquit automatique tandis que les sélections H.L et L.L indiquent une

alarme d'anomalie avec acquit manuel.

Quand P5 = 5, ce paramètre sélectionne le type d'élément refroidissant.

Alr = air OIL = huile H2O = eau

NOTE: la modification du type d'élément refroidissant produit la mise à jour automatique du temps de cycle de refroidissement et du gain de refroidissement.

P6	C	RCG
Air	10 (s)	1
Huile	4 (s)	0.8
H2O	2 (s)	0.4

P7 = Action de l'alarme

Disponible seulement si P5 est différent de 0 ou 5.

r = inverse (relais désexcité en condition d'alarme)

d = directe (relais excité en condition d'alarme)

P8 = Masquage de l'alarme

Disponible seulement si P5 est égal à 1, 2 ou 3.

OFF = masquage invalidé

ON = masquage autorisé

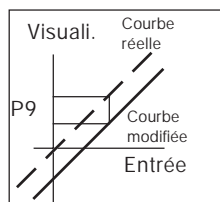
NOTE: le masquage permet d'invalider l'action des alarmes au départ et après les modifications du point de consigne pour les réamorcer automatiquement quand la variable est rentrée dans les limites.

P9 = DEVIATION de mesure

La DEVIATION programmée avec ce paramètre est constante sur toute l'échelle de mesure.

Si P1 = 5: P9 est programmable de -19.9 à 19.9 °C.

Si P1 # 5 : P9 est programmable de -199 à 199 °C ou °F.



P10 = Seuil "Soft Start"

La fonction "Soft Start" permet de limiter la puissance de sortie (voir le paramètre de fonctionnement OLH) pendant une durée de temps programmable (voir le paramètre de fonctionnement TOL) à la mise en service de l'instrument si la valeur mesurée est inférieure à un seuil fixé d'avance.

P10 est la valeur de seuil, en unités techniques, pour l'activation de la fonction "Soft Start".

P11 = Clé d'accès aux paramètres de contrôle

0 = clé invalidée. Tous les paramètres peuvent être modifiés
 1 = clé autorisée. Aucun paramètre ne peut être modifié, sauf le point de consigne.

De 2 à 499 = SP peut toujours être modifié;
 Sélectionner le code secret (ne pas l'oublier) qui permet, pendant le dialogue utilisateur, d'autoriser/invalider la clé d'accès. Pendant le dialogue utilisateur, l'instrument visualise l'une des indications suivantes:

- A)

O	F	F
n	n	n

 La clé est invalidée et tous les paramètres peuvent être modifiés.
- | | |
|---|---|
| O | N |
| n | n |

 Pour autoriser la clé et protéger les paramètres, il suffit d'entrer un numéro différent du "code secret".

- B)

O	N
n	n

 La clé est autorisée et aucun paramètre ne peut être modifié sauf SP. Pour invalider la clé et permettre la modification des paramètres, il suffit d'entrer le "code secret".

De 500 à 999 En sélectionnant un code secret compris entre 500 et 999, l'instrument suit les indications précédentes mais, si la clé est autorisée, l'instrument permet la modification du point de consigne et du seuil d'alarme.

P12 = Vitesse maxi. de variation du signal de sortie

Ce paramètre est disponible si Pb est différent de 0.

Programmable de 1 à 10 % du signal de sortie par seconde.

Au-delà de 10 %/s l'instrument visualise "InF" pour indiquer l'exclusion de la limite.

P13= Résolution du bar graph de déviation (seulement LDS).

Pour l'entrée RTD avec un chiffre décimal, P13 est programmable de 0,2 à 20,0 °C

Pour toutes les autres entrées, P13 est programmable de 2 à 200 unités techniques.

La configuration est complète et l'instrument visualise " -.-.-. " sur les deux indicateurs. Pour accéder aux paramètres de configuration secondaires, agir comme suit:

- 1) En utilisant les touches ▲ et ▼ programmer le code 219.
 - 2) Appuyer sur la touche FN.
- Pour achever la procédure de configuration appuyer sur la touche FN; l'indicateur visualise "CnF".

P14 - Autorisation/Invalidation de la visualisation des paramètres protégés

Ce paramètre est disponible si P 11 est différent de 0.

Ce paramètre permet d'autoriser ou d'invalider, pendant le dialogue utilisateur, la visualisation des paramètres protégés.

OFF = Les paramètres protégés ne peuvent pas être visualisés

ON = Les paramètres protégés peuvent être visualisés

P15 - Autorisation/Invalidation de la fonction SMART

- 0 = La fonction SMART est invalidée
- 1 = L'autorisation/invalidation de la fonction SMART N'EST PAS protégée par le code de sécurité
- 2 = L'autorisation/invalidation de la fonction SMART est protégée par le code de sécurité.

P16 - Valeur maxi. de bande proportionnelle programmable automatiquement par la fonction SMART.

Ce paramètre peut prendre les valeurs comprises entre P17, ou P18 et 99.9.

P17 - Valeur mini. de bande proportionnelle programmable automatiquement par la fonction SMART pour les instruments avec une seule sortie de régulation.

Ce paramètre est visualisé uniquement si P5 est différent de 5.

P17 peut prendre les valeurs comprises entre 1,0% et la valeur de P16.

P18 - Valeur mini. de bande proportionnelle programmable automatiquement par la fonction SMART pour les instruments avec deux sorties de régulation (LHS).

Ce paramètre n'est visualisé que si P5 est égal à 5.

P18 peut prendre les valeurs comprises entre 1,5% et la valeur de P16.

P19 - Calcul automatique du "gain relatif de refroidissement" (LHS).

Ce paramètre est présent seulement si P5 est égal à 5.

OFF = La fonction SMART **NE** calcule **PAS** le gain relatif de refroidissement.

ON = La fonction SMART calcule le gain relatif de refroidissement.

P20 - Valeur mini. de temps intégral calculée par la fonction SMART.

P20 peut prendre les valeurs comprises entre 00,1 (10 secondes) et 02,0 (2 minutes).

P21 = Extension de l'anti-initialisation - wind up

Echelle: de -30 à +30 % de la bande proportionnelle.

NOTE: une valeur positive augmente la limite maxi. de la fonction (au-dessus du point de consigne) tandis qu'une valeur négative diminue la limite mini. de la fonction (en-dessous du point de consigne).

Les procédures de configuration sont achevées et l'instrument visualise "CnF".

DIALOGUE UTILISATEUR

PRELIMINAIRES

Pour permettre le fonctionnement en mode régulation, il faut que le pontet V2 (voir fig. 9) soit fermé.

On admet que l'instrument a été configuré correctement suivant les indications de la section 3.

- Les modèles LMS et LHS visualisent sur l'indicateur supérieur la valeur mesurée, tandis que l'indicateur inférieur est utilisé normalement pour visualiser le point de consigne de fonctionnement (nous définissons cette condition "Visualisation normale").
- Le modèle LDS visualise la valeur mesurée (nous définissons cette condition "Visualisation normale" ou le point de consigne de fonctionnement (dans le deuxième cas la LED SP clignote). Pour passer de la visualisation du point de consigne à celle de la valeur mesurée ou viceversa, appuyer sur la touche ▲.

En appuyant sur la touche FN on peut visualiser en séquence tous les paramètres.

- Les modèles LMS et LHS visualisent sur l'indicateur inférieur le nom abrégé du paramètre sélectionné tandis que l'indicateur supérieur visualise la valeur programmée.
- Le modèle LDS visualise alternativement le nom du paramètre et sa valeur, tandis qu'au cours de la modification, il visualise seulement la valeur du paramètre.

Pour modifier la programmation d'un paramètre agir comme suit:

- 1) Au moyen de la touche FN sélectionner le paramètre devant être modifié.

2) En utilisant les touches ▲ et ▼ programmer la valeur désirée.

3) Appuyer sur la touche FN pour mémoriser la nouvelle valeur et passer au paramètre suivant.

NOTES:

- 1) Au cours de la modification d'un paramètre si aucune touche n'est enfoncée pendant plus de 10 secondes, l'instrument retourne automatiquement à la visualisation normale tandis que la nouvelle programmation du dernier paramètre sera perdue.
- 2) L'instrument ne visualise pas tous les paramètres, mais seulement ceux qui sont conformes à:
 - a) la configuration de l'instrument (voir section 3),
 - b) la programmation du paramètre P14 (voir section 3),
 - c) la programmation de la bande proportionnelle (voir page suivante).

INDICATEURS

- ST Il clignote quand la fonction SMART effectue la première phase d'auto-syntonisation. Il est allumé quand la fonction SMART effectue la deuxième phase d'auto-syntonisation.
- OUT Il est allumé quand la sortie 1 est en condition ON.
- ALM/COOL Il est allumé quand la sortie 2 est en condition ON ou l'alarme 1 est en condition d'alarme.
- SP (uniquement LDS) il clignote quand l'instrument visualise le point de consigne de régulation.

Description du clavier

- FN = permet de mémoriser la nouvelle programmation du paramètre et passer au paramètre suivant (ordre croissant).
- ST = permet d'activer/invalider la fonction SMART ou de parcourir les paramètres dans l'ordre inverse sans en mémoriser les valeurs.
- ▲ = augmente la valeur du paramètre visualisé ou, uniquement pour LDS, permet de visualiser la valeur du point de consigne de régulation.
- ▼ = diminue la valeur du paramètre visualisé.
- ▼ + FN = autorise/invalide le LAMP TEST.

NOTE: la modification des paramètres de fonctionnement est soumise à un temps différé de 10 secondes. Au cours de la modification des paramètres, si aucune opération n'a été effectuée sur les touches pendant plus de 10 secondes, l'instrument retourne à la visualisation normale en ne mémorisant que les modifications des paramètres qui ont été effectuées après avoir appuyé sur la touche FN.

ACQUIT MANUEL DE L'ALARME.

Si l'alarme sélectionnée est avec l'acquit manuel, la signalisation d'alarme persiste même quand il n'existe plus la condition d'alarme. Pour réamorcer l'alarme, en appuyant sur la touche FN sélectionner le paramètre "n.rS" (l'indicateur visualise "n.rS" et "OFF"). Au moyen des touches ▲ et ▼ sélectionner "ON" et appuyer sur la touche FN. L'acquit manuel de l'alarme sera mené à bonne fin uniquement si la condition d'alarme n'existe plus.

ALGORITHME SMART

Cette fonction permet d'optimiser automatiquement l'action de régulation. Pour autoriser cette fonction il suffit d'appuyer pendant plus de 1,5 secondes sur la touche ST pendant la "visualisation normale"; la LED "ST" est à lumière fixe ou clignotante en fonction de l'algorithme sélectionné par l'instrument. Quand la fonction SMART est autorisée, l'instrument permet la visualisation des paramètres de régulation traditionnels (PB, TI, TD et rC) sans en autoriser la modification. Pour retourner au contrôle traditionnel (PID) il suffit d'appuyer de nouveau sur la touche ST pendant 1,5 sec. au moins. L'instrument conserve la programmation actuelle des paramètres de contrôle et en autorise la modification.

NOTES :

- 1) Quand la fonction SMART est en service, le gain correspondant de refroidissement (contrôlé par la fonction SMART) est limité comme suit:
Elément de refroidissement Echelle
Air de 0.85 à 1.00
OIL de 0.80 à 0.90
H₂O de 0.30 à 0.60
- 2) La fonction SMART utilise un temps de l'action dérivée égal à un quart du temps d'action intégrale.
- 3) Les limites de l'action proportionnelle sont programmables au moyen des paramètres P16, P17 et P18.
- 4) Quand la fonction SMART est active, la valeur mini. de l'action intégrale est définie par le paramètre P20.
- 5) En programmant l'instrument pour la régulation de type ON/OFF (PB=0) la fonction SMART est automatiquement interdite.
- 6) L'autorisation/invalidation de la fonction SMART peut être protégée par une clé d'accès aux paramètres (faire référence au paramètre P15).

INVALIDATION DU SIGNAL DE SORTIE

Ces instruments permettent d'interdire manuellement le signal de sortie pour bloquer la régulation.

Pour interdire le signal de sortie, appuyer sur la touche ▲ et, en la laissant enfoncée, appuyer sur la touche FN pendant au moins 3 secondes.

L'instrument visualise "OFF" à la place de l'indication du point de consigne; le signal de sortie se place sur OFF et l'instrument fonctionne comme un simple indicateur.

Uniquement pour le modèle LDS, en appuyant sur la touche ▲ on peut visualiser la valeur mesurée, mais les trois LED du bar graph clignotent (pour indiquer que l'instrument fonctionne comme un simple indicateur).

Quand les sorties de régulation sont invalidées, les alarmes sont également invalidées et forcées à la condition d'absence d'alarme. La modification des paramètres de régulation reste autorisée.

Pour retourner sur le fonctionnement comme régulateur, appuyer sur la touche ▲ et, en la laissant enfoncée, appuyer sur la touche FN pendant au moins 3 secondes.

NOTES:

1) Si la sortie est interdite quand la fonction SMART effectue la première partie de l'algorithme d'auto-synchronisation (LED ST clignote), quand l'instrument retourne au contrôle normal, la fonction est invalidée.

Si la sortie est interdite quand la fonction SMART(LED ST allumée), effectue son fonctionnement normal (LED ST allumée), la fonction SMART est provisoirement bloquée; quand l'instrument retourne sur le contrôle normal, la fonction est de nouveau active.

2) Si l'instrument est éteint quand la fonction d'invalidation du signal de sortie est active, à la prochaine mise en service cette fonction sera rétablie automatiquement.

MODIFICATION DIRECTE DU POINT DE CONSIGNE

Ces instruments permettent de modifier le point de consigne sans utiliser la touche FN.

Pour modifier rapidement le point de consigne, agir comme suit:

- 1) Appuyer pendant plus de 3 secondes sur la touche ▲ ou ▼, et la valeur du point de consigne commence à se modifier.
- 2) En appuyant sur les touches ▲ et ▼, programmer la valeur désirée.
- 3) Quand la valeur désirée est atteinte, N'appuyer sur ACUNE touche; la nouvelle valeur du point de consigne devient opérationnelle 3 secondes après la dernière pression sur les touches et l'instrument se replace sur "visualisation normale".

Pour abandonner la modification au cours de cette procédure, appuyer sur la touche FN; l'instrument se replace automatiquement sur "visualisation normale" sans mémoriser le nouveau point de consigne.

VISUALISATION DU POINT DE CONSIGNE PROGRAMME (uniquement LDS)

Pour visualiser sur l'indicateur le point de consigne programmé, il suffit d'appuyer sur la touche ▲.

L'indicateur visualise la valeur de point de consigne suivie par le clignotement du point décimal correspondant au chiffre le moins significatif (indiqué sur le panneau avant par le message SP).

Pour retourner à la visualisation de la valeur mesurée il suffit d'appuyer de nouveau sur la touche ▲.

ETAT DE FONCTIONNEMENT DU BAR GRAPH (UNIQUEMENT LDS)

Le bar graph à 3 LED indique l'écart entre la mesure et le point de consigne programmé. La LED centrale (verte) est allumée quand l'écart est inférieur à la moitié de la valeur programmée avec le paramètre P13. Si l'écart dépasse 1/2 P13 mais est inférieur à 3/2 P13, la LED correspondante est allumée. Si l'écart est supérieur à 3/2 de la valeur de P13, la LED correspondante clignote.

LAMP TEST

Pour vérifier le fonctionnement de l'indicateur, appuyer sur les touches ▼ et FN. L'instrument allume toutes les LED de l'indicateur avec un cycle de fonctionnement égal à 50% (cet état est appelé LAMP TEST). Le LAMP TEST n'est pas soumis au temps différé. Pour retourner au mode normal de visualisation, appuyer de nouveau sur les touches ▼ et FN. Pendant le LAMP TEST les autres fonctions sont interdites.

PARAMETRES DE FONCTIONNEMENT

La liste complète des paramètres de contrôle est indiquée ci-après. On remarque que certains paramètres peuvent ne pas être visualisés en fonction de la configuration spécifique de l'appareil.

Appuyer sur la touche FUNC, l'indicateur inférieur visualise le code et l'indicateur supérieur visualise la valeur du paramètre sélectionné. Avec les touches ▲ et ▼ on peut programmer la valeur ou l'état désiré.

Appuyer sur la touche FUNC, l'instrument mémorise la nouvelle valeur (ou le nouvel état) et passe à la visualisation du paramètre suivant.

Param. Description

- | | |
|------|---|
| SP | Point de consigne principal (en unités techniques)
Echelle : de rL à rH. |
| n.rS | Acquit manuel des alarmes.
Ce paramètre est visualisé si une alarme au moins est programmée avec l'acquit manuel. Programmer ON et appuyer sur la touche FN pour réamorcer les alarmes. |
| nnn | Clé de protection des paramètres.
Elle n'est pas visualisée si P11 = 0 ou 1.
ON= La protection des paramètres est active
OFF= La protection des paramètres est inactive.
Pour désactiver la protection des paramètres, programmer une valeur égale à la valeur attribuée au paramètre P11.
Pour activer de nouveau la protection des paramètres, programmer une valeur différente de celle qui est attribuée au paramètre P11. |
| AL | Seuil d'alarmes (en unités techniques)
AL1 est visualisé uniquement si l'alarme a été configurée. |

	<p>Echelles:</p> <ul style="list-style-type: none"> - à l'intérieur de l'échelle d'entrée (P3 - P2) pour alarme de procédé. - de 0 à 500 unités pour les alarmes de bande. - de -199 à 500 unités pour alarme de déviation. 	
HSA	<p>Hystérésis alarme (en % de l'échelle P3 - P2) HSA est visualisé uniquement si l'alarme a été configurée.</p> <p>Echelle: de 0,1% à 10,0% de l'échelle d'entrée ou 1 LSD</p> <p>Note: Si l'hystérésis d'une alarme de bande est supérieure à la bande de l'alarme, l'instrument utilise une valeur d'hystérésis égale à la valeur de alarme de bande moins 1 digit.</p>	
Pb	<p>Bande proportionnelle (en % de l'échelle P3-P2)</p> <p>Echelle: de 1,0% à 99,9% de l'étendue de l'échelle d'entrée avec une sortie de régulation.</p> <p>De 1,5% à 99,9 % de l'étendue de l'échelle d'entrée avec deux sorties de régulation (uniquement LHS).</p> <p>Quand Pb=0 l'action de régulation devient de type ON/OFF; les paramètres ti, td, IP, C, C2, rC, OLP, OLH et tOL ne sont pas visualisés, tandis que la fonction SMART est invalidée.</p>	
HS	<p>Hystérésis pour la régulation ON/OFF (en % de l'échelle P3-P2)</p> <p>HS est uniquement disponible si Pb=0</p> <p>Echelle: de 0,1% à 10,0% de l'étendue de l'échelle d'entrée.</p>	
ti	<p>Temps intégral (en minutes et secondes [mm.ss]). "ti" n'est pas visualisé quand Pb=0 (action ON/OFF).</p> <p>Echelle: de 00,1 à 20,00 mm.ss.</p> <p>Au-delà de cette valeur l'indicateur devient sombre et l'action intégrale est exclue.</p>	
td	<p>Temps dérivation (en minutes et secondes[mm.ss]). "td" n'est pas visualisé quand Pb=0 (action ON/OFF).</p> <p>Echelle: de 0,01 à 9,59 mm.ss. En programmant la valeur 0 l'action dérivation est exclue.</p>	
IP	<p>Préchargement de l'action intégrale. Ip est uniquement disponible si Pb est différent de 0.</p> <p>Echelle:</p> <ul style="list-style-type: none"> - de 0 à 100 % pour action de régulation - de -100 à 100 % pour deux actions de régulation (uniquement LHS). 	
C	<p>Temps de cycle sortie 1 (en secondes) C est uniquement disponible si Pb est différent de 0.</p> <p>Echelle: de 1 à 200 s.</p>	
C2	<p>Temps de cycle sortie 2 (en secondes) (uniquement LHS). C2 est uniquement disponible si P5 = 5</p> <p>Echelle de 1 à 200 s.</p>	
rC	<p>Gain relatif de refroidissement "rC" n'est pas visualisé si Pb=0 (action ON/OFF) ou si l'appareil est configuré pour une sortie de régulation.</p> <p>Echelle : de 0,20 à 1,00.</p>	
OLP	<p>Superposition/bande morte entre chauffage et refroidissement (en % de la bande proportionnelle)</p> <p>"OLP" n'est pas visualisé si Pb=0 (action ON/OFF) ou si l'appareil est configuré pour une sortie de régulation.</p> <p>Une valeur négative indique une bande morte, tandis qu'une valeur positive indique une superposition.</p> <p>Echelle: de -20% à 50%.</p>	
rL	<p>Limite inférieure du point de consigne (en unités techniques)</p> <p>Echelle: de la valeur mini. d'échelle (P2) à rH</p> <p>Note: si P2 est modifié, rL est réaligné automatiquement.</p>	

- rH Limite supérieure du point de consigne (en unités techniques)
Echelle: de rL à la valeur d'échelle maxi. (P3)
Note: si P3 est modifié, rH est réaligné automatiquement.
- OLH Limite maxi. de la sortie de régulation (en % de la sortie)
Echelle:
- de 0,0 à 100,0 quand l'instrument est programmé pour une seule sortie de régulation.
- de -100,0 à 100,0 quand l'instrument est programmé pour 2 sorties de régulation (uniquement LHS).
- tOL Durée de la limite de puissance de sortie (en minutes).
A la mise en service, l'instrument mesure la variable de procédé, il compare la valeur mesurée avec le seuil programmé pour la fonction soft start (paramètre P10 de la section 3) et, si la variable mesurée est inférieure au seuil, il limite la puissance de sortie à la valeur OLH. A partir de là débute le comptage du temps. Le paramètre tOL permet de définir la durée, en minutes, de cette limite. A la fin du temps tOL, l'instrument élimine la limite et la puissance de sortie peut prendre n'importe quelle valeur.
Ce paramètre est uniquement visualisé quand la bande proportionnelle est différente de zéro.
Echelle: de 1 à 100 min. Outre cette valeur l'indicateur visualise "Inf" et la limite est toujours active.
Note: le paramètre tOL peut être modifié n'importe quand, mais la nouvelle valeur n'est validée qu'au moment de la nouvelle mise en service de l'instrument.

MESSAGES D'ERREUR

INDICATION D'ANOMALIE DE LA MESURE

L'instrument visualise le dépistage d'une condition de DEPASSEMENT D'ECHELLE POSITIF et NEGATIF en visualisant sur l'indicateur supérieur l'une des indications suivantes:



DEP. ECH. POS. DEP. ECH. NEG.
La rupture du capteur est signalée comme suit:

- entrée TC/mV: DEPASSEMENT
 EWCHELLE POSITIF ou
 NEGATIF sélectionné par
 pontet
- entrée RTD: DEPASSEMENT
 ECHELLE POSITIF

Pour l'entrée RTD, l'instrument signale une condition de DEPASSEMENT D'ECHELLE POSITIF quand la résistance d'entrée est inférieure à 15 Ohm (dépistage de court-circuit du capteur).

NOTE: quand:

- l'instrument est programmé pour utiliser une seule sortie de régulation et a dépisté une condition de DEPASSEMENT D'ECHELLE POSITIF, la sortie 1 est forcée à zéro (par action inverse) ou à 100% (par action directe)
- l'instrument est programmé pour utiliser deux sorties de régulation et a dépisté une condition de DEPASSEMENT D'ECHELLE POSITIF, la sortie 1 est forcée à zéro et la sortie 2 est forcée à 100%.

- l'instrument est programmé pour utiliser une seule sortie de régulation et a dépisté une condition de DEPASSEMENT D'ECHELLE NEGATIF, la sortie 1 est forcée à 100% (pour action inverse) ou à zéro (pour action directe).
- l'instrument est programmé pour utiliser deux sorties de régulation et a dépisté une condition de DEPASSEMENT D'ECHELLE NEGATIF; la sortie 1 est forcée à 100% et la sortie 2 est forcée à zéro.

Pour les entrées de thermocouple, on peut sélectionner l'indication d'un dépassement d'échelle négatif (voir par. 6.2 de ce manuel).

NOTE: En cas de dépassement d'échelle positif ou négatif, les alarmes agissent comme si l'instrument relève respectivement la valeur maxi. ou mini. mesurable.

Pour éliminer la valeur de hors d'échelle, agir comme suit:

- 1) vérifier le signal d'entrée et la ligne de raccordement correspondante.
- 2) vérifier que la configuration de l'instrument est correcte (suivant le type de signal appliqué à l'instrument), autrement modifier la configuration de l'entrée (voir chapitre 3.2)
- 3) si aucune erreur n'est détectée, expédiez l'instrument au fournisseur pour un contrôle.

MESSAGES D'ERREUR

Au moment de la mise en service et pendant le fonctionnement normal, ces instruments effectuent certains contrôles.

Si l'instrument relève une condition d'erreur, l'indicateur visualise "Er" précédé par un code qui identifie le type d'erreur relevé. Le modèle LDS visualise alternativement le message et son code. Ci-après nous indiquons la liste complète des erreurs dans leur ordre numérique, ainsi que la

description des causes éventuelles d'erreur, le comportement de la sortie de régulation et les remèdes éventuels.

Certaines erreurs produisent l'initialisation automatique de l'instrument; si l'erreur persiste, envoyez l'instrument au fournisseur pour le contrôle.

LISTE DES ERREURS POSSIBLES

100	Erreur d'écriture des EEPROM.
150	Erreur général sur CPU.
200	Essai d'écriture sur mémoire protégée
201 - 2xx	Erreur des paramètres de configuration. Les deux chiffres les moins significatifs indiquent le numéro du paramètre
erroné sur le	(ex. 209 Err indique une erreur paramètre P9)
301	Erreur de calibration de l'entrée RTD
305	Erreur de calibration de l'entrée TC
307	Erreur de calibration de l'entrée RJ
400	Erreur sur les paramètres de contrôle
500	Erreur de Auto-zéro
502	Erreur de RJ
510	Erreur pendant la calibration.

NOTES

- 1) Quant l'instrument détecte une erreur sur les paramètres de configuration, il suffit de répéter la configuration du paramètre spécifique.
- 2) Si l'erreur 400 est détectée, appuyer en même temps sur les touches ▼ et ▲ pour charger les paramètres prédéfinis; répéter la programmation des paramètres de contrôle.
- 3) Pour toutes les autres erreurs, contacter le fabricant.

CARACTERISTIQUES TECHNIQUES

SPECIFICATIONS TECHNIQUES

Boîtier: Polycarbonate gris; degré d'auto-extinction: V-0 suivant UL 94.

Protection panneau avant: Le produit est conçu et vérifié pour garantir une protection IP 65 (*) et NEMA 4X pour utilisation à l'abri.

(* les vérifications ont été effectuées conformément aux standards CEI 70-1 et NEMA 250-1991.

Installation : Montage sur panneau

Face arrière: 10 bornes à vis (vis M3 pour câbles de \varnothing 0,25 à \varnothing 2,5 mm² ou de AWG 22 à AWG 14) avec les diagrammes de raccordement et les chapeaux de borne de sécurité.

Dimensions: suivant DIN 43700 48 x 48 mm, profondeur 100 mm.

Masse: 160 g. max.

Alimentation:

- de 100V à 240V c.a. 50/60Hz (-15% à + 10% de la valeur nominale)

- 24 V c.c./c.a. (+ 10 % de la valeur nominale).

Autoconsommation : 6 VA maxi.

Isolement: 2300 V rms suivant EN 61010-1

Temps de mise à jour de l'indicateur: 500 ms.

Intervalle d'échantillonnage: 500 ms

Résolution: 30000 comptages

Précision: + 0,3% v.f.s. + 1 digit @ 25 °C de température ambiante

Réjection de mode commun 120 dB à 50/60 Hz.

Réjection de mode normal: 60 dB à 50/60 Hz.

Compatibilité électromagnétique et normes de sécurité: Cet instrument est marqué CE; il est donc conforme aux directives 89/336/EEC, et aux directives 72/23/EEC et 93/68/EEC

Catégorie d'installation: II

Dérive thermique: (CJ exclue) < 200 ppm/°C < 400 ppm/°C pour entrée RTD avec visualisation -19,9/99,9°C et entrée de thermocouple T.

Température de fonctionnement: de 0 à 50 °C.

Température de stockage: de -20 à + 85 °C

Humidité : de 20 % à 85% RH, sans condensation.

Protections:

1) WATCH DOG circuit pour le restart automatique.

2) DIP SWITCH pour la protection des paramètres de configuration et de calibration.

Altitude: Ce produit n'est pas convenable pour l'usage aux altitudes supérieures à 2000 m.

ENTREES

A) THERMOCOUPLES

Type: L, J, K, N,T programmable au clavier

Résistance de ligne maxi. 100 Ω avec erreur de <+0.1% de l'étendue de l'échelle d'entrée

Unités techniques: °C ou °F programmable.

Soudure froide: compensation automatique de 0 à + 50 °C.

Dérive de la soudure froide: 0.1 °C/°C.

Burn-out (rupture): échelle maxi. mini. sélectionnable.

Calibration: suivant IEC 584-1 et DIN 43710 - 1977 (TC type L).

TABLEAU ECHELLES STANDARD

Type de TC	Champ de mesure	
	°C	°F
L	0 - +800 °C	0 - +999 °F
J	0 - +800 °C	0 - +999 °F
K	0 - +999 °C	0 - +999 °F
N	0 - +999 °C	0 - +999 °F
T	0 - + 400 °C	0 - +752 °F

B) RTD (Resistance Temperature Detector)

Type: Pt 100 3 et fils.

Courant: 135 μ A.

Résistance de ligne: Compensation

automatique jusqu'à 20 Ω /fil avec :

- erreur <+0.1% de l'étendue de l'échelle

d'entrée pour l'échelle -19,9 à 99,9 °C.

- erreur non mesurable pour toutes les autres

échelles.

Unités techniques: °C ou °F programmable.

Burn-out (rupture): échelle maxi. **NOTE:** Un

contrôle spécial produit un signal de

DEPASSEMENT D'ECHELLE POSITIF quand la

résistance est inférieure à 15 Ω .

Calibration: suivant DIN 43760

TABLEAU ECHELLES STANDARD

Type de RTD	Echelle de mesure	
RTD Pt 100	-199 - +500 °C	-199 - +999 °F
RTD Pt 100	-19,9 - +99,9 °C	-----

ACTIONS DE CONTROLE

Action de régulation: PID ou SMART

bande proportionnelle: de 1,0 % (si on utilise

une seule sortie de régulation) ou 1,5 % (si on

utilise 2 sorties de régulation) à 99,9 % de

l'étendue de l'échelle d'entrée.

En programmant Pb = 0 la régulation et type ON/

OFF.

Hystérésis (pour contrôle ON/OFF): de 0,1 % à

10,0 % de l'étendue de l'échelle d'entrée

Temps intégral: de 10" à 20'; résolution 10 secondes.

En programmant une valeur supérieure à 20 minutes,

l'action intégrale est exclue.

Temps de dérivation: de 0 à 9' 59".

Précharge de l'action intégrale

- de 0 à 100 % pour une sortie de régulation.

- de -100 à 100% pour deux sorties de régulation (uniquement LHS).

Temps de cycle de la sortie principale:

de 1 à 200 s.

Temps de cycle de la sortie de

refroidissement de 1 à 200 s (uniquement LHS).

Gain relatif à la fonction de

refroidissement: de 0,20 à 1,00 (uniquement

LHS).

NOTE : on peut limiter les paramètres PB, TI, TD

et RCG quand la fonction SMART est autorisée.

Superposition/bande morte: de - 20 % à 50

% (uniquement LHS)

SORTIES

SORTIE 1 (Chauffage)

Sortie à relais avec contact SPDT ;

capacité contact 3A / 250 V c.a sur charge

résistive

b) Tension logique pour la commande de relais

statique

Etat logique 1: 24 V +20% @ 1 mA.

14 V +20% @ 20 mA

Etat logique 0: <0.5 V

Action de la sortie: directe/inverse

programmable (elle n'est pas disponible pour le

modèle LHS programmé pour utiliser deux sorties

de régulation).

Sortie 2 -

refroidissement (uniquement LHS) **ou alarme 1**

Sortie à relais avec contact SPST ;

Capacité contact 1A / 250 V c.a sur charge résistive.

Avec un cavalier interne on peut sélectionner le

contact NO ou NF.

ENTRETIEN

- 1) COUPER L'ALIMENTATION DE L'INSTRUMENT (alimentation, sorties à relais, etc.)
- 2) Extraire l'instrument de son boîtier
- 3) En utilisant un aspirateur ou un jet d'air comprimé à basse pression (maxi. 3 kg/cm²) enlever tout dépôt de poussière dans les fentes de ventilation et sur les circuits en faisant attention à ne pas endommager les composants.
- 4) Pour nettoyer les parties extérieures en plastique ou en caoutchouc, utiliser exclusivement un chiffon propre et humide avec:
 - alcool éthylique (pur ou dénaturé) [C₂H₅OH]
 - alcool isopropylique (pur ou dénaturé) [(CH₃)₂CHOH]
 - Eau (H₂O)
- 5) Contrôler que les bornes sont parfaitement serrées.
- 6) Avant de brancher l'instrument dans son boîtier, vérifier qu'il est parfaitement sec.
- 7) Brancher l'appareil.

MONTAGE

Eine saubere, auch an der Rückseite gut zugängliche und wenn möglich vibrationsfreie Montagestelle wählen.

Die Umgebungstemperatur muß zwischen 0°C und 50 °C liegen.

Das Gerät kann auf eine bis zu 15 mm dicke Fronttafel montiert werden, in die ein viereckiger Ausschnitt mit den Maßen 45 x 45 mm praktiziert wurde.

Abmessungen und Fronttafelausschnitt siehe Seite IV.

Die Oberflächenrauheit der Tafel muß besser als 6,3 µm sein.

Das Gerät ist mit einer Gummidichtung für Fronttafeln ausgerüstet (von 50 bis 60 Sh).

Zur Gewährleistung der Schutzarten IP65 und NEMA 4, die mit dem Gerät gelieferte Dichtung zwischen das Gerät und die Tafel einfügen (siehe Abbildung 1).

Bei der Befestigung des Geräts an der Tafel wie folgt vorgehen:

- 1) Die Dichtung an dem Gehäuse des Geräts anbringen.
- 2) Das Gerät in den Ausschnitt einsetzen.
- 3) Das Gerät gut an der Tafel anliegend festhalten und die Befestigungsstrebe einfügen.
- 4) Mit einem Schraubenzieher die Schrauben mit einem Anziehmoment zwischen 0,3 und 0,4 Nm festziehen.

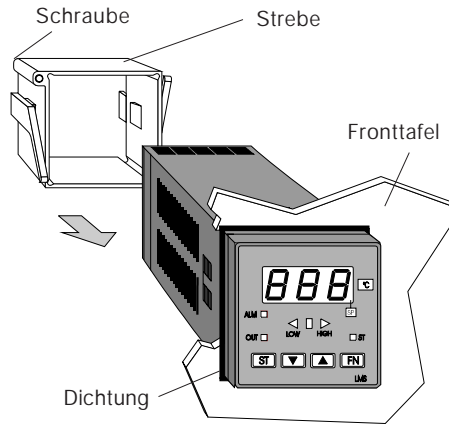


Abb. 1

Abb. 2

ELEKTRISCHE ANSCHLÜSSE

Die Anschlüsse müssen durchgeführt werden, nachdem das Gehäuse des Geräts vorschriftsmäßig auf der Tafel montiert wurde.

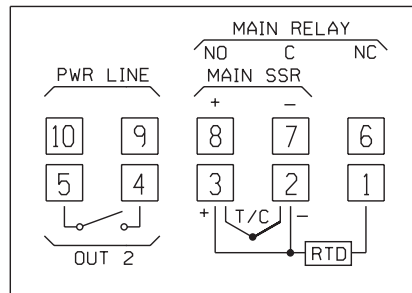


Abb. 2 ANSCHLUSSKLEMMEN/Belegung

A) VERSORGUNG

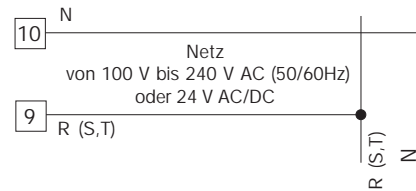


Abb. 3 ANSCHLUSS AN DAS STROMNETZ

ANMERKUNGEN:

- 1) Vor dem Anschluß des Geräts an das Stromnetz, sich vergewissern, das die Leitungsspannung mit der auf dem Kennschild des Geräts angegebenen Spannung übereinstimmt.
- 2) Zur Vermeidung elektrischer Schläge, die Versorgung erst anschließen, nachdem alle anderen Anschlüsse vorgenommen wurden.
- 3) Für den Netzanschluß Kabel Nr.16 AWG oder mit größerem Querschnitt verwenden, die für eine Temperatur von mindestens 75°C geeignet sind.
- 4) Nur Kupferleiter verwenden.
- 5) Die Signalkabel nicht parallel oder in der Nähe von Leistungskabeln oder Störquellen verlegen.
- 6) Bei der 24 V AC/DC-Versorgung hat die Polarität keine Bedeutung.
- 7) Die Versorgungskreise sind NICHT durch einen Schmelzeinsatz geschützt. Es wird daher empfohlen, einen externen Schutz vorzusehen: Schmelzeinsatz Typ T, 1 A, 250 V.
- 8) Gemäß den Sicherheitsvorschriften für ständig an das Stromnetz angeschlossene Geräte sind folgende Einrichtungen zu installieren:
 - Ein Schalter oder Auftrenner in der elektrischen Anlage des Gebäudes;

- Der Auftrenner muß in unmittelbarer Nähe des Gerätes an einer für das Bedienungspersonal leicht zugänglichen Stelle installiert werden.
- Der Schalter muß als Trennvorrichtung des Gerätes gekennzeichnet werden.

ANMERKUNG: Ein Schalter oder Auftrenner kann mehrere Geräte steuern.

B) MESSEINGÄNGE

ANMERKUNG: Externe Komponenten (z.Bsp.: Zener-Barrieren) zwischen dem Fühler und den Eingangsklemmen des Geräts können Meßfehler bewirken, die durch einen zu hohen oder nicht ausbalancierten Widerstand oder durch Leckströme verursacht werden.

INGANG FÜR THERMOELEMENT (TC)

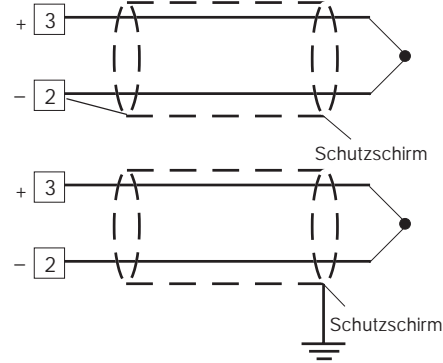


Abb. 4 ANSCHLUß VON THERMOELEMENTARTEN

ANMERKUNGEN:

- 1) Die Signalkabel nicht parallel oder in der Nähe von Leistungskabeln oder Störquellen verlegen.
- 2) Für den Anschluß des Thermoelements ein

geeignetes, vorzugsweise abgeschirmtes Kompensations-/Erweiterungskabel verwenden.

- 3) Bei Verwendung eines Abschirmkabels, den Schutzschirm nur an einem Ende erden.

INGANG FÜR WIDERSTANDSTHERMOMETER

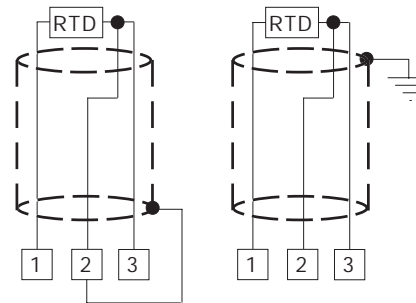


Abb. 5 ANSCHLUSS VON WIDERSTANDSTHERMOMETERN

ANMERKUNGEN:

- 1) Die Signalkabel nicht parallel oder in der Nähe von Leistungskabeln oder Störquellen verlegen.
- 2) Auf den Leitungswiderstand achten. Ein übermäßig hoher Leitungswiderstand (über $20 \Omega/\text{Leiter}$) kann Meßfehler bewirken.
- 3) Bei Verwendung eines Abschirmkabels, den Schutzschirm nur an einem Ende erden.
- 4) Die drei Leiter müssen den gleichen Widerstand haben.

RELAISAUSGÄNGE

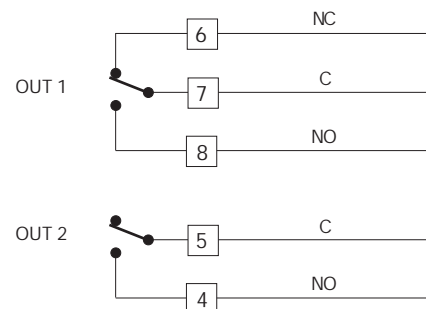


Abb. 6 ANSCHLUSS DER RELAIS-AUSGÄNGE

Der NO-Kontakt des Ausgangs 1 und der Kontakt des Ausgangs 2 sind mittels Varistoren gegen Belastungen geschützt, deren induktive Komponente bis zu 0,5 A beträgt.

Die Belastbarkeit des dem Ausgang 1 entsprechenden Kontakts, beträgt 3A/250 V AC bei ohmscher Belastung.

Die Belastbarkeit der den Ausgängen 2 entsprechenden Kontakte, beträgt 1A/250 V AC bei ohmscher Belastung.

Die Anzahl der Schaltungen entspricht der spezifizierten Belastbarkeit mal 10^5 .

ANMERKUNGEN:

- 1) Um der Gefahr elektrischer Schläge vorzubeugen, das Netzkabel erst anschließen, nachdem alle anderen Anschlüsse vorgenommen wurden.
- 2) Für den Netzanschluß, Kabel Nr.16 AWG oder mit größerem Querschnitt verwenden, die für Temperaturen bis mindestens 75°C geeignet sind.
- 3) Nur Kupferleiter verwenden.
- 4) Die Signalkabel nicht parallel oder in der Nähe von Leistungskabeln oder Störquellen verlegen.

Die folgenden Empfehlungen dienen zur Vermeidung schwerwiegender Probleme durch die Verwendung der Relaisausgänge für die Vorsteuerung induktiver Belastungen.

INDUKTIVE BELASTUNGEN

Bei der Umschaltung induktiver Belastungen können Einschwingzustände und Störungen entstehen, die die Leistungen des Geräts beeinträchtigen können. Die inneren Schutzvorrichtungen (Varistoren) gewährleisten den Schutz gegen Störungen für Lasten mit einer induktiven Komponente bis zu 0,5 A. Analoge Probleme können durch die Umschaltung von Belastungen mittels eines externen, zum Ausgangskontakt des Geräts in Reihe geschalteten Kontakts, entstehen oder durch die Verwendung des NC-Kontakts des Ausgangs 1.

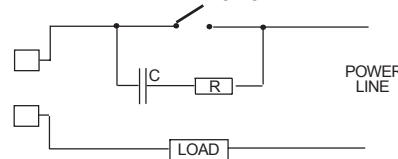


Abb.7 EXTERNER, ZUM AUSGANGSKONTAKT DES GERÄTS IN REIHE GESCHALTETER KONTAKT

In diesen Fällen wird empfohlen, parallel zum externen Kontakt einen RC-Filter anzuschließen wie in Abb.7 gezeigt.

Der Wert der Kapazität (C) und des Widerstands(R) sind in der folgenden Tabelle angegeben.

BELASTUNG (mA)	C (mF)	R (W)	P. (W)	Betriebs- spannung
<40 mA	0.047	100	1/2	260 V AC
<150 mA	0.1	22	2	260 V AC
<0.5 A	0.33	47	2	260 V AC

In allen Fällen müssen die an die Relaisausgänge angeschlossenen Kabel soweit wie möglich von den Signalkabeln entfernt gehalten werden.

LOGIKAUSGANG FÜR DIE SSR-STEUERUNG

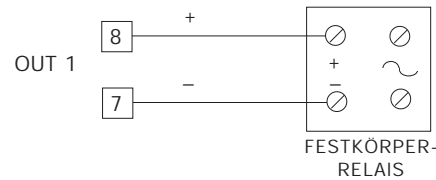


Abb. 8 ANSCHLUSS FÜR DIE VORSTEUERUNG VON FESTKÖRPERRELAIS

Dieser Ausgang ist zeitproportional.

Logikstatus 0: $V_{out} < 0,5 \text{ V DC}$

Logikstatus 1: Stromspitze = 20 mA.

- 14 V + 20 % @ 20 mA

- 24 V + 20 % @ 1 mA.

ANMERKUNGEN: Dieser Ausgang ist NICHT isoliert.

Die Isolierung zwischen Gerät und Stromleitung muß durch ein externes Festkörperrelais gewährleistet werden.

HARDWAREEINSTELLUNGEN

- 1) Das Instrument aus dem Gehäuse ziehen.
- 2) Den internen Hakenschalter V2 öffnen.

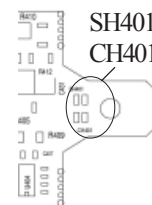
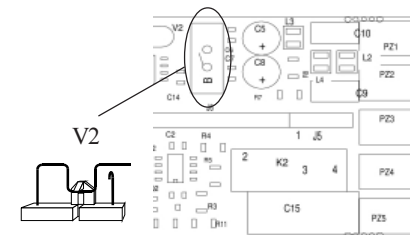


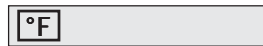
Abb. 9

3) Diese Instrumente sind in der Lage, einen offenen Meßkreis (TC oder RTD) zu erfassen, der als Overrange (Bereichsüberschreitung) angezeigt wird.

Nur bei den Thermoelementen kann, mittels der in der nebenstehenden Abbildung gezeigten Lötstützpunkte, die Art der Anzeige im Fall der Öffnung eines TC-Meßkreises gewählt werden.

SH401	CH401	Anzeige
offen	geschlossen	Overrange (Standard)
geschlossen	offen	Underrange

- 4) Wenn das Gerät für die Anzeige in °F programmiert wurde, das auf der Seite des INHALTSVERZEICHNISSES angebrachte, zusätzliche Etikett auf der Vorderseite des Geräts anbringen, so daß es das vorhandene Schild mit der physikalischen Einheit °C überdeckt.



- 5) Das Gerät in das Gehäuse zurückschieben.
 6) Das Gerät mit Strom versorgen.
 Auf der Anzeige erscheint "CnF".
ACHTUNG: Falls auf der Anzeige die Schrift "CAL" erscheint, sofort die Taste ▲ drücken und zur Konfiguration zurückkehren.
 7) Die Taste FN drücken.
 Bei den Geräten LMS-LHS erscheint auf der unteren Anzeige (Display) der Code des angewählten Parameters, während das obere Display den eingestellten Wert anzeigt.
 Bei dem Gerät LDS werden der Code des Parameters und der entsprechende Wert abwechselnd angezeigt.

ALLGEMEINE ANMERKUNGEN zur Konfiguration

- FN = Speichern der eingestellten Werte und Anwahl des darauf folgenden Parameters.
 ST = Rückwärtstasten der Parameter, jedoch keine Speicherung.
 ▲ = Vergrößern des Wertes des angewählten Parameters
 ▼ = Verkleinern des Wertes des angewählten Parameters

KONFIGURATIONSVERFAHREN

P1 - Art des Eingangs und Standardskala

0	= TC-Art	L	Bereich 0 / +800 °C
1	= TC-Art	J	Bereich 0 / +800 °C
2	= TC-Art	K	Bereich 0 / +999 °C
3	= TC-Art	N	Bereich 0 / +999 °C
4	= RTD-Art	Pt 100	Bereich -199 / +500 °C
5	= RTD-Art	Pt 100	Bereich -19.9 / +99.9 °C
6	= TC-Art	T	Bereich 0 / +400 °C
8	= TC-Art	L	Bereich 0 / +999 °F
9	= TC-Art	J	Bereich 0 / +999 °F
10	= TC-Art	K	Bereich 0 / +999 °F
11	= TC-Art	N	Bereich 0 / +999 °F
12	= RTD-Art	Pt 100	Bereich -199 / +999 °F
13	= TC-Art	T	Bereich 0 / +752 °F

TC = Thermoelement RTD = Widerstandsthermometer

ANMERKUNG: Für die Meßbereiche in °F steht ein Klebeetikett mit der Aufschrift "°F" zur Verfügung, das an der Vorderseite des Geräts anzubringen ist. Das o.a. Etikett, das über dem Titel "INHALTSVERZEICHNIS" angebracht ist, muß über die °C-Anzeige geklebt werden.

P2 - Anfangswert

Nicht verfügbar, wenn P1 = 5.
 Vom Algorithmus PID benutzter Anfangswert für die Berechnungen des Breites des Arbeitsbereichs.

P3 - Endwert

Nicht verfügbar, wenn P1 = 5.
 Vom Algorithmus PID benutzter Endwert.

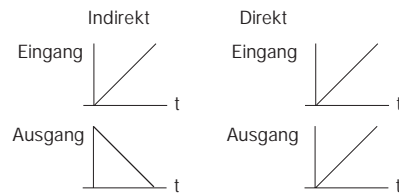
ANMERKUNGEN:

- 1) Die Breite des eingestellten Arbeitsbereichs (P3 - P2) muß bei Thermoelement-Eingängen über 300 °C oder 600 °F liegen, bzw. bei 100 °C oder 200 °F bei Eingängen von Widerstandsthermometern.
- 2) Bei einer Änderung des Wertes von P3 und/oder P4, werden die Parameter rL und rH automatisch dem neuen Wert von P3 bzw. P4 angepaßt.

P4 - Regelverhalten des Hauptausgangs

Bei dem Gerät LHS wird dieser Parameter nicht angezeigt, wenn P5 = 5.

r = indirektes Regelverhalten (Heizen)
d = direktes Regelverhalten (Kühlen)



P5 - Funktion des Ausgangs 2

- 0= Nicht vorgesehen
- 1 = Vollbereichsalarm
- 2 = Bandalarm
- 3 = Abweichungsalarm
- 4 = Eingangssignalüberwachung
- 5 = Kühlausgang (nur LHS)

ANMERKUNG: Nur beim Gerät LHS, nimmt der Parameter P4 automatisch den Wert "r" an, wenn P5 = 5.

P6 - Wirkungsweise des Ausgangs 2

P6 wird nicht angezeigt, wenn P5 = 0.

Wenn P5 = 1, 2 oder 3

H.A. = Maximumalarm (außerhalb des Bandes) mit automatischer Rücksetzung.

L.A. = Minimumalarm (innerhalb des Bandes) mit automatischer Rücksetzung.

H.L. = Maximumalarm (außerhalb des Bandes) mit manuellem Rücksetzen.

L.L. = Minimumalarm (innerhalb des Bandes) mit manuellem Rücksetzen.

Wenn P5 = 4, zeigen H.A. und L.A. einen Heizleiterbruch-Alarm mit automatischer Rücksetzung an, während H.L. und L.L. einen Heizleiterbruchalarm mit manuellem Rücksetzen anzeigen.

Wenn P5 = 5 wählt dieser Parameter die Art des Kühlmediums.

Alr = Luft OIL = Öl H2O = Wasser

ANMERKUNG: Die Änderung der Art des Kühlmediums bewirkt die automatische Anpassung der Zeit der Kühlverstärkung und der Kühlverstärkung.

P6	C	RCG
Alr	10 (s)	1
OIL	4 (s)	0.8
H2O	2 (s)	0.4

P7 - Wirkung des Alarms

Nur verfügbar, wenn P5 nicht 0 oder 5 ist.

r = indirekt (Relais bei Alarm abgefallen)

d = direkt (Relais bei Alarm angezogen)

P8 = Unterdrückung des Alarms

Nur verfügbar, wenn P5 gleich 1, 2, oder 3 ist.

OFF = Unterdrückung deaktiviert.

ON = Unterdrückung aktiviert.

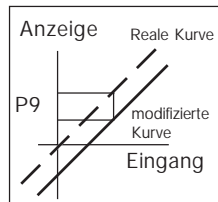
ANMERKUNG: Die Unterdrückung ermöglicht den Ausschluß der Alarme bei der Einschaltung des Geräts und nach Änderungen des Sollwerts; die Alarme werden automatisch wieder aktiviert, sobald der Istwert sich wieder innerhalb der Grenzwerte befindet.

P9 = Meßwertkorrektur (OFFSET)

Dieser Parameter ermöglicht die Einstellung eines konstanten OFFSET im gesamten Meßbereich:

Wenn P1 = 5: P9 kann von -19,9 bis 19,9 °C eingestellt werden.

Wenn P1 ≠ 5: P9 kann von -199 bis 199 °C eingestellt werden.



P10 = "Soft Start"-Schaltswelle

Die "Soft Start"-Funktion ermöglicht bei der Einschaltung des Geräts, falls der Meßwert unter einem festgelegten Schwellenwert liegt, die Begrenzung der Ausgangsleistung (siehe Betriebsparameter OLH) während einer einstellbaren Zeitspanne (siehe Betriebsparameter TOL). P10 ist die Schaltswelle, in physikalischen Einheiten, für die "Soft Start"-Funktion.

P11 - Zugriff auf die Regelparameter

- 0 = Verriegelung deaktiviert. Alle Parameter können geändert werden.
- 1 = Verriegelung deaktiviert. Kein Parameter, mit Ausnahme des Sollwerts, kann geändert werden.
Von 2 bis 499 = SP kann immer geändert werden; Stellen die Geheimnummer (zu erinnern) ein, die während des Betriebsmodus die Verriegelung zu aktivieren/deaktivieren. Während des Betriebs zeigt das Gerät folgendes an:

- A)

O	F	F
n	n	n

 Die Verriegelung ist deaktiviert und alle Parameter können geändert werden. Zur Aktivierung der Verriegelung und zur Sicherung der Parameter, genügt es, eine Nummer einzugeben, die sich von der "Geheimnummer" unterscheidet.

- B)

O	N
n	n

 Die Verriegelung ist aktiviert und kein Parameter, mit Ausnahme des Sollwerts, kann geändert werden.

Zur Deaktivierung der Verriegelung und Freigabe der Änderung der Parameter, genügt es, die "Geheimnummer" einzugeben.

Wird eine Geheimnummer zwischen 500 und 999 eingestellt, verhält das Gerät sich wie oben beschrieben, aber ermöglicht die Änderung des Sollwerts und der Alarmschaltswelle bei aktivierter Verriegelung.

P12 - Höchstgeschwindigkeit der Änderung des Ausgangssignals

Dieser Parameter ist verfügbar, wenn Pb nicht 0 ist. Von 1 bis 100% des Ausgangssignals pro Sekunde einstellbar.

Über 10%/s erscheint auf dem Display die Schrift "InF, die den Ausschluß der Begrenzung anzeigt.

P13 - Auflösung des Abweichungs-Bargraph (nur LDS)

Für den Widerstandsthermometer-Eingang mit Dezimalziffer, kann P13 von 0,2 bis 20,0 °C eingestellt werden.

Für alle anderen Eingänge kann P13 auf 2 bis 200 physikalische Einheiten eingestellt werden.

Die Primärkonfiguration ist abgeschlossen und das Gerät zeigt auf beiden Displays "-.-.-" an.

Für den Zugriff auf die sekundären Konfigurationsparameter, wie folgt vorgehen:

- 1) Mit Hilfe der Tasten ▲ und ▼ den Code 219 einstellen.
- 2) Die Taste FN drücken.
Falls das Konfigurationsverfahren beendet werden soll, die Taste FN drücken; das Display zeigt "CnF" an.

P14 - Aktivierung/Deaktivierung der Anzeige der geschützten Parameter

Dieser Parameter ist verfügbar, wenn P11 nicht 0 ist.

Dieser Parameter ermöglicht die Anzeige der geschützten Parameter während des Betriebs.

OFF = Die geschützten Parameter können nicht angezeigt werden.

ON = Die geschützten Parameter können angezeigt werden.

P15 - Aktivierung/Deaktivierung der SMART-Funktion

0 = Die SMART-Funktion ist deaktiviert

1 = Die Aktivierung/Deaktivierung der SMART-Funktion ist NICHT durch den Sicherungscode geschützt

2 = Die Aktivierung/Deaktivierung der SMART-Funktion ist durch den Sicherungscode geschützt.

P16 - Automatisch von der SMART-Funktion einstellbarer max. Wert des Proportionalbandes.

Dieser Parameter kann die zwischen P17 oder P18 liegenden Werte und den Wert 99,9 annehmen.

P17 - Automatisch von der SMART-Funktion einstellbarer min. Wert des Proportionalbandes bei Geräten mit einem einzigen Regelausgang.

Dieser Parameter wird nur angezeigt, wenn P5 nicht 5 ist.

P17 kann die Werte zwischen 1,0% und dem Wert P16 annehmen.

P18 -Automatisch von der SMART-Funktion einstellbarer min. Wert des Proportionalbandes bei Geräten mit zwei Regelausgängen (LHS)

Dieser Parameter wird nur angezeigt, wenn P5 gleich 5 ist.

P18 kann die Werte zwischen 1,5% und dem Wert von P16 annehmen.

P19 - Automatische Berechnung der "relativen Kühlverstärkung" (LHS)

Dieser Parameter ist nur vorhanden, wenn P5 gleich 5 ist.

OFF = Die SMART-Funktion berechnet die relative Kühlverstärkung **NICHT.**

ON = Die SMART-Funktion berechnet die relative Kühlverstärkung.

P20 - Mindestwert der von der SMART-Funktion berechneten Integralzeit

P20 kann Werte annehmen, die zwischen 00,1 (10 Sekunden) und 02,0 (2 Minuten) liegen.

P21 = Erweiterung des Anti-reset-wind-up

Bereich: Von - 30 bis +30% des Proportionalbandes.

ANMERKUNG: Ein positiver Wert erhöht die max. Grenze der Funktion (über den Sollwert), während ein negativer Wert die min. Grenze der Funktion senkt (unter den Sollwert).

An diesem Punkt sind alle Konfigurationsverfahren beendet und das Gerät zeigt "CnF" an.

BETRIEBSMODUS

VORBEMERKUNGEN

Damit das Gerät als Regler arbeitet, muß der Hakenschalter V2 (siehe Abbildung 9) geschlossen sein.

Es wird angenommen, daß das Gerät gemäß den in Abschnitt 3 wiedergegebenen Anweisungen konfiguriert wurde.

- Die Modelle LMS und LHS zeigen auf dem oberen Display den Meßwert an, während das untere Display normalerweise zur Anzeige des Betriebssollwerts dient (dieser Zustand wird "normale Anzeigeart" genannt.)
- Das Modell LDS zeigt den Meßwert an ("normale Anzeigeart") oder den Betriebssollwert (in diesem Fall blinkt die LED SP). Zum Übergang von der Anzeige des Sollwerts zur Anzeige des Meßwerts und umgekehrt, die Taste ▲ drücken.

Durch Druck auf die Taste FN können alle Parameter der Reihe nach durchlaufen werden.

- Die Modelle LMS und LHS zeigen auf dem unteren Display die Abkürzung des angewählten Parameters an, während auf dem oberen Display der eingestellte Wert erscheint.
- Das Modell LDS zeigt abwechselnd den Namen und Wert des Parameters an, während es bei der Modifizierung nur den Parameterwert anzeigt.

Zur Änderung der Einstellung eines Parameters wie folgt vorgehen:

- 1) Mit der Taste FN den Parameter anwählen, der geändert werden soll.
- 2) Mit Hilfe der Tasten ▲ und ▼ den gewünschten Wert einstellen.
- 3) Die Taste FN drücken, um den neuen Wert zu speichern und zum nächsten Parameter übergehen.

ANMERKUNGEN:

- 1) Falls während der Änderung eines Parameters länger als 10 Sekunden lang keine Taste gedrückt wird, kehrt das Gerät automatisch zur normalen Anzeigeart zurück und die neue Einstellung des letzten Parameters geht verloren.
- 2) Das Gerät zeigt nicht alle möglichen Parameter an, sondern nur jene, die übereinstimmen mit:
 - a) der Konfiguration des Geräts (siehe Abschnitt 3)
 - b) der Einstellung des Parameters P14 (siehe Abschnitt 3)
 - c) der Einstellung des Proportionalbandes (siehe folgende Seite).

ANZEIGER

- ST Blinkt, wenn die SMART-Funktion die erste Phase der Selbstoptimierung durchführt.
Leuchtet dauernd, wenn die SMART-Funktion die zweite Phase der Selbstoptimierung durchführt.
- OUT Leuchtet, wenn der Ausgang 1 in ON-Zustand ist.
- ALM/COOL Leuchtet, wenn der Ausgang 2 in ON-Zustand oder der Alarm 1 in Alarmzustand ist.
- SP (nur LDS) blinkt, wenn das Gerät den Sollwert anzeigt.

Beschreibung der Tastatur

- FN = Speichern der eingestellten Werte und Anwahl des darauf folgenden Parameters.
- ST = Aktivierung/Deaktivierung der SMART-Funktion und Rückwärtstasten der Parameter, jedoch keine Speicherung.
- ▲ = Vergrößern des Wertes des angezeigten Parameters oder, nur bei LDS, Anzeige des Sollwerts.
- ▼ = Verkleinern des Wertes des angezeigten Parameters.
- ▼ + FN = Aktivierung/Deaktivierung der ÜBERPRÜFUNG DER KONTROLLAMPEN.

ANMERKUNG: Für die Änderung der Betriebsparameter ist ein Time out von 10 Sekunden festgesetzt. Falls während der Änderung der Parameter für eine Zeit, die das Time out überschreitet, keinerlei Taste gedrückt wird, kehrt das Gerät zur normalen Anzeigeart zurück und speichert nur die Änderungen der Parameter, die durch Betätigung der Taste FN bestätigt wurden.

MANUELLES RÜCKSETZEN DER ALARME

Wenn ein Alarm mit manuellem Rücksetzen eingestellt wurde, bleibt die Alarmanzeige auch bestehen, nachdem der Alarmzustand nicht mehr vorliegt.

Zum Rücksetzen des Alarms, die Taste FN drücken und den Parameter "n.rS" anwählen (auf der Anzeige erscheint "n.rS" und "OFF"). Mit den Tasten ▲ und ▼ "ON" anwählen und die Taste FN drücken. Der Alarm kann nur manuell rückgesetzt werden, wenn der Alarmzustand nicht mehr vorliegt.

SMART-ALGORITHMUS

Diese Funktion ermöglicht die automatische Optimierung der Regelaktion. Zur Aktivierung der SMART-Funktion, während der "normalen Anzeigeart" länger als 1,5 Sekunden lang die Taste ST drücken. Die LED "ST" blinkt oder leuchtet dauernd in Funktion des Algorithmus, den das Gerät gewählt hat. Wenn die SMART-Funktion aktiviert ist, zeigt das Gerät die herkömmlichen Regelparameter (PB, TI, TD und rC) an, ermöglicht aber nicht ihre Änderung. Falls zur herkömmlichen Regelaktion (PID) zurückgekehrt werden soll, erneut mindestens 1,5 Sekunden lang die Taste ST drücken. Das Gerät hält die aktuellen Werte der Regelparameter und gibt die Änderung der Parameter selbst frei.

ANMERKUNGEN:

- 1) Wenn die SMART-Funktion aktiviert ist, wird die relative Kühlverstärkung (falls von der SMART-Funktion geregelt) wie folgt beschränkt:

Kühlmedium	Bereich
Air	de 0.85 bis 1.00
OIL	de 0.80 bis 0.90
H ₂ O	de 0.30 bis 0.60
- 2) Die SMART-Funktion verwendet eine Differentialzeit (Vorhaltezeit), die einem Viertel der integralen Vorspannzeit entspricht.
- 3) Die Grenzen des proportionalen Regelverhaltens können über die Parameter P16, P17 und P18 eingestellt werden.
- 4) Wenn die SMART-Funktion aktiviert ist, ist der Mindestwert der integralen Vorspannzeit durch den Parameter P20 festgelegt.
- 5) Wird das Gerät für das Regelverhalten ON/OFF (Pb = 0) programmiert, wird die SMART-Funktion automatisch deaktiviert.
- 6) Die Aktivierung/Deaktivierung der SMART-Funktion kann durch den Schlüssel für den Zugriff auf die Parameter verriegelt werden (siehe Parameter P15).

SPERRE DES AUSGANGSSIGNALS

Diese Geräte ermöglichen die manuelle Sperre des Ausgangssignals, um die Regelaktion zu blockieren.

Zur Sperre des Ausgangssignals die Taste ▲ drücken, niederhalten und gleichzeitig mindestens 3 Sekunden lang die Taste FN drücken.

Das Gerät zeigt anstelle der Anzeige des Sollwerts "OFF" an; das Ausgangssignal stellt sich auf OFF und das Gerät funktioniert als einfaches Anzeigerät.

Nur beim Modell LDS kann durch Druck auf die Taste ▲ der Meßwert angezeigt werden, aber die drei LED des Bargraphs blinken (wodurch angezeigt wird, daß das Gerät als einfaches Anzeigerät arbeitet).

Wenn die Regelausgänge deaktiviert sind, sind auch die Alarmer deaktiviert und auf den Zustand des Fehlens der Alarmer modifiziert.

Die Änderung der Regelparameter bleibt jedoch auf jeden Fall aktiviert.

Um das Gerät wieder als Regelinstrument zu verwenden, die Taste ▲ drücken, niederhalten und gleichzeitig mindestens 3 Sekunden lang die Taste FN drücken.

ANMERKUNGEN:

1) Wenn der Ausgang gesperrt wird, während die SMART-Funktion die erste Phase der Selbstoptimierung durchführt (die LED ST blinkt), ist die Selbstoptimierungs-Funktion deaktiviert, wenn das Gerät zum normalen Regelverhalten zurückkehrt.

Wenn der Ausgang gesperrt wird, während die SMART-Funktion auf normale Weise arbeitet (die LED ST leuchtet dauernd), wird die SMART-Funktion vorübergehend blockiert; wenn das Gerät zum normalen Regelverhalten zurückkehrt, ist die SMART-Funktion erneut aktiv.

2) Wenn das Gerät ausgeschaltet wird, während die Sperrfunktion des Ausgangssignals aktiviert ist, wird bei der nächsten Einschaltung des Geräts diese Funktion automatisch wieder aktiviert.

DIREKTE ÄNDERUNG DES SOLLWERTS

Bei diesen Geräten kann der Sollwert ohne Verwendung der Taste FN geändert werden.

Wenn der Sollwert rasch geändert werden soll, wie folgt vorgehen:

- 1) Mehr als 3 Sekunden lang die Taste ▲ oder ▼ drücken: Der Wert des Sollwerts beginnt, sich zu ändern.
- 2) Mit den Tasten ▲ und ▼ den gewünschten Wert einstellen.
- 3) Sobald der gewünschte Wert erreicht ist, KEINE Taste drücken. Der neue Wert des Sollwerts wird 3 Sekunden nach dem letzten Tastendruck wirksam und das Gerät kehrt zur "normalen Anzeigart" zurück.

Falls während dieses Verfahrens die Änderung nicht gespeichert werden soll, die Taste FN drücken: Das Gerät kehrt automatisch zur "normalen Anzeigart" zurück, ohne den neuen Sollwert zu speichern.

ANZEIGE DES EINGESTELLTEN SOLLWERTS (nur LDS)

Um den eingestellten Sollwert auf dem Display anzuzeigen, genügt ein Druck auf die Taste ▲. Auf dem Display erscheint der Wert des Sollwerts, gefolgt vom Blinken des Dezimalpunkts, der sich auf die weniger signifikante Ziffer bezieht (auf der Fronttafel durch die Schrift SP angezeigt). Um zur Anzeige des Meßwertes zurückzukehren, erneut die Taste ▲ drücken.

FUNKTION DES BARGRAPHS (NUR LDS)

Der 3 LED-Bargraph zeigt eine vorliegende Abweichung zwischen Meßwert und eingestelltem Sollwert an.

Die mittlere LED (grün) leuchtet, wenn die Abweichung unter der Hälfte des mittels des Parameters P13 eingestellten Werts liegt.

Wenn die Abweichung mehr 1/2 P13, aber weniger als 3/2P13 beträgt, leuchtet die entsprechende rote LED.

Falls die Abweichung über 3/2 des Wert von P13 liegt, blinkt die entsprechende LED.

ÜBERPRÜFUNG DER KONTROLLAMPEN (LAMP TEST)

Falls die Funktionstüchtigkeit der Anzeiger überprüft werden soll, die Tasten ▲ und FN drücken. Das Gerät schaltet alle LED's des Anzeigers mit einem duty cycle gleich 50% ein (dieser Status wird LAMP TEST genannt).

Für den LAMP TEST ist kein Time out festgesetzt. Um zur normalen Anzeigeart zurückzukehren, erneut die Tasten ▲ und FN drücken.

Während des LAMP TEST's sind alle anderen Funktionen deaktiviert.

BETRIEBSPARAMETER

Der folgende Abschnitt enthält die vollständige Liste der Regelparameter. Es wird darauf hingewiesen, daß einige Parameter in Funktion der spezifischen Konfiguration des Geräts nicht angezeigt werden könnten.

Die Taste FUNC drücken: Auf dem unteren Display erscheint der Code, während das obere Display den Wert des angewählten Parameters

anzeigt.

Mit den Tasten Tasten ▲ und ▼ können der Wert oder der gewünschte Status eingestellt werden.

Durch erneuten Druck auf die Taste FUNC, speichert das Gerät den neuen Wert (oder den neuen Status) und geht zur Anzeige des folgenden Parameters über.

Param.Beschreibung

SP Sollwert (in physikalischen Einheiten).

Bereich: Von rL bis rH.

n.RStManuelles Rücksetzen der Alarme.

Dieser Parameter wird angezeigt, wenn zumindest für einen Alarm

manuelles Rücksetzen programmiert wurde.

ON einstellen und die Taste FN drücken, um die Alarme zurückzusetzen.

nnn Sicherungsschlüssel für die Verriegelung der Parameter.

Wird nicht angezeigt, wenn P11= oder 1.

ON = Die Parameter sind verriegelt.

OFF = Die Parameter sind nicht verriegelt.

Falls die Verriegelung der Parameter deaktiviert werden soll, einen Wert einstellen, der dem Wert gleich ist, der dem Parameter P11 zugeordnet wurde.

Wenn die Verriegelung wieder aktiviert

werden soll, einen Wert einstellen,

der von dem Wert abweicht, der dem

Parameter P11 zugeordnet wurde.

AL Schaltschwelle des Alarms (in physikalischen Einheiten).

AL1 wird nur angezeigt, wenn der Alarm konfiguriert wurde.

Bereiche:

- Innerhalb des Eingangsbereiches (P3-P2) für Vollbereichsalarme.

- Von 0 bis 500 Einheiten für Bandalarme.

- Von -199 - 500 Einheiten für Abweichungsalarme.

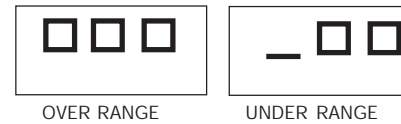
HSA	Alarm-Hysterese (in% des Bereichs P3-P2) HSA wird nur angezeigt, wenn der Alarm konfiguriert wurde. Bereich: Von 0,1% bis 10,0% des Eingangsbereiches oder 1 LSD. Anmerkung: Alarms selbst ist, verwendet das Gerät einen Hysteresewert der dem Alarms Bandwert minus einem Digit entspricht.	IP	Anfangsladen der Nachstellzeit. "IP" ist nur verfügbar, wenn Pb nicht 0 ist. Bereich: - Von 0 bis 100%, wenn das Gerät für einen einzigen Regelausgang konfiguriert ist. - Von -100 bis 100%, wenn das Gerät für zwei Regelausgänge konfiguriert ist (nur LHS).
Pb	Proportionalband (in% des Bereichs P3-P2). Bereich: Von 1,0% bis 99,0% der Breite des Eingangsbereichs bei einem Regelausgang. Von 1,5% bis 99,9% der Breite des Eingangsbereichs bei zwei Regelausgängen (nur LHS). Wenn Pb = 0, wird das Regelverhalten ON/OFF; die Parameter ti, td, IP, C, C2, rC, OLP, OLV und tOL werden nicht angezeigt während die SMART-Funktion nicht aktiviert werden kann.	C	Zykluszeit Ausgang 1 (in Sekunden). C ist nur verfügbar, wenn P5 und Pb nicht 0 sind. Bereich: Von 1 bis 200 s.
HS	Hysterese für die ON/OFF-Regelung (in% des Bereichs P3-P2) HS ist nur verfügbar, wenn Pb = 0. Bereich: Von 0,1% bis 10,0% der Breite des Eingangsbereichs.	C2	Zykluszeit Ausgang 2 (in Sekunden), (nur LHS). C2 ist nur verfügbar, wenn P5 =5 sind. Bereich: Von 1 bis 200 s.
ti	Nachstellzeit (Integralzeit) (in Minuten und Sekunden [mm.ss]). "ti" wird nicht angezeigt, wenn Pb = 0 (ON/OFF-Regelverhalten). Bereich: Von 00,1 bis 20.0 mm.ss. Bei höheren Werten verdunkelt sich das Display und die Nachstellzeit wird ausgeschlossen.	rC	Relative Kühlverstärkung. rC wird nicht angezeigt, wenn Pb = 0 (ON/OFF-Regelverhalten) oder wenn das Gerät für einen einzigen Regelausgang konfiguriert wurde. Bereich: Von 0,20 bis 1,00.
td	Vorhaltezeit (Differentialzeit) (in Minuten und Sekunden [mm.ss]). "td" wird nicht angezeigt, wenn Pb = 0 (ON/OFF-Regelverhalten). Bereich: Von 0,01 bis 9,59 mm.ss. Wird der Wert 0 eingestellt, ist die Vorhaltezeit ausgeschlossen.	OLP	Überlagerung/Totband zwischen Heizen und Kühlen (in % des Proportionalbandes). "OLP" wird nicht angezeigt, wenn Pb = 0 (ON/OFF-Regelverhalten) oder wenn das Gerät für einen einzigen Regelausgang konfiguriert wurde. Ein negativer Wert zeigt ein Totband an, ein positiver Wert eine Überlagerung. Bereich: Von -20% bis 50%.
		rL	Untere Grenze des Sollwertes (in physikalischen Einheiten). Bereich: Vom Anfangswert (P2) bis rH. Anmerkung: Bei einer Änderung von P2, wird auch rL automatisch wieder ausgerichtet.

- rH Obere Grenze des Sollwertes (in physikalischen Einheiten).
Bereich: Von rL bis zum Endwert (P3).
Anmerkung: Bei einer Änderung von P3, wird auch rH automatisch wieder ausgerichtet.
- OLH Ausgangsleistungsbegrenzung (in % des Regelausgangs).
Bereich:
- Von 0,0 bis 100,0, wenn das Gerät für einen einzigen Regelausgang programmiert ist.
- Von -100,0 bis 100,0, wenn das Gerät für zwei Regelausgänge programmiert ist (nur LHS)
- tOL Dauer der Ausgangsleistungsbegrenzung (in Minuten).
Bei der Einschaltung mißt das Gerät den Istwert, vergleicht den gemessenen Wert mit der für die Soft Start-Funktion programmierten Schaltschwelle (Parameter 10, Abschnitt 3) und begrenzt die Ausgangsleistung auf den Wert OLH, falls der gemessene Istwert unter der Schaltschwelle liegt. Ab diesem Moment beginnt die Zeitzählung. Der Parameter tOL ermöglicht es, die Dauer dieser Begrenzung in Minuten festzulegen. Nach Ablauf der Zeit tOL, hebt das Gerät die Begrenzung auf und die Ausgangsleistung kann somit jeden beliebigen Wert annehmen.
Bereich: Von 1 bis 100 Min. Bei höheren Werten zeigt das Display "Inf" an und die Begrenzung ist immer aktiviert.
Anmerkung: Der Parameter tOL kann jederzeit geändert werden, aber der neue Wert wird erst bei der folgenden Einschaltung des Geräts wirksam.

FEHLERMELDUNGEN

ANZEIGE VON ÜBER-BZW. UNTERSCHREITUNGEN DES MESSBEREICHS

Das Gerät zeigt die Erfassung einer Bereichsüberschreitung (OVERRANGE) oder einer Bereichsunterschreitung (UNDERRANGE) auf dem Display mit einer der folgenden Meldungen an:



Der Fühlerbruch wird wie folgt angezeigt:

- TC/mV-Eingang: OVERRANGE oder UNDERRANGE, durch Kodierstecker wählbar.
- RTD-Eingang: OVERRANGE

Für den RTD-Eingang meldet das Gerät eine Bereichsüberschreitung (OVERRANGE), wenn der Eingangswiderstand niedriger als 15 Ohm ist (Erfassung des Kurzschlusses des Fühlers).

ANMERKUNG: wenn

- das Gerät für einen einzigen Regelausgang programmiert ist und eine OVERRANGE-Bedingung erfaßt hat, wird der Ausgang 1 auf 0 (durch umgekehrte Aktion) oder auf 100% (durch direkte Aktion) modifiziert.
- das Gerät für zwei Regelausgänge programmiert ist und eine OVERRANGE-Bedingung erfaßt hat, wird der Ausgang 1 auf 0, und der Ausgang 2 auf 100% modifiziert.
- das Gerät für einen einzigen Regelausgang programmiert ist und eine UNDERRANGE - Bedingung erfaßt hat, wird der Ausgang 1 auf

100% (durch umgekehrte Aktion) oder auf Null (durch direkte Aktion) modifiziert.

- das Gerät für zwei Regelausgänge programmiert ist und eine UNDERRANGE-Bedingung erfaßt hat, wird der Ausgang 1 auf 100%, und der Ausgang 2 auf Null modifiziert.

Für die Thermoelementeingänge kann die Underrange-Anzeige gemäß den Angaben in Abschnitt 6.2 dieser Bedienungsanleitung gewählt werden.

ANMERKUNG: Im Fall von Overage oder Underrange, verhalten sich die Alarmer wie bei der Erfassung des maximalen bzw. minimalen Meßwerts.

Zur Beseitigung der Anzeige einer Bereichsüberschreitung, wie folgt vorgehen:

- 1) Das Eingangssignal und die entsprechende Anschlußleitung überprüfen.
- 2) Sich vergewissern, daß die Konfiguration des Geräts korrekt durchgeführt wurde (in Hinblick auf die für das Gerät verwendete Signalart). Ist dies nicht der Fall, die Konfiguration des Eingangs ändern (siehe Kapitel 3.2).
- 3) Falls kein Fehler gefunden wird, das Gerät zur Überprüfung an den Lieferanten schicken.

FEHLERMELDUNGEN

Bei der Einschaltung und während des normalen Betriebs, führen diese Geräte einige Kontrollen durch.

Falls das Gerät einen Fehler erfaßt, erscheint auf dem Display die Schrift "Err", der ein Code vorangeht, der die Art des erfaßten Fehlers kennzeichnet.

Das Modell LDS zeigt die Fehlermeldung und den Code abwechselnd an.

Der folgende Abschnitt enthält, nach Nummern geordnet, das vollständige Verzeichnis aller

möglichen Fehler.

Ferner werden die möglichen Ursachen des Fehlers, das Verhalten des Regelausgangs und die möglichen Abhilfen beschrieben.

VERZEICHNIS DER MÖGLICHEN FEHLER

100	Schreibfehler der EEPROM.
150	Allgemeiner Fehler in der CPU.
200	Einschreibversuch in geschützte Speicher.
200-2xx	Fehler in den Konfigurationsparametern. Die beiden letzten Ziffern zeigen die Nummer des falschen Parameters an. (z.Bsp.:209 Err zeigt einen Fehler im Parameter P9 an).
301	Eichfehler des RTD-Eingangs.
305	Eichfehler des TC-Eingangs.
307	Eichfehler des RJ-Eingangs.
320	Eichfehler des Linearausgangs.
400	Fehler in den Regelparametern.
500	Fehler im automatischen Nullabgleich.
502	RJ-Fehler.
510	Fehler während der Eichung.

ANMERKUNGEN:

- 1) Wenn das Instrument einen Fehler in den Konfigurationsparametern erfaßt, genügt es, die Konfiguration des entsprechenden Parameters zu wiederholen.
- 2) Wird der Fehler 400 angezeigt, gleichzeitig die Tasten ▼ und ▲ drücken und die vordefinierten Parameter laden; anschließend die Einstellung der Regelparameter wiederholen.
- 3) Bei allen anderen Fehlermeldungen den Lieferanten informieren.

TECHNISCHE MERKMALE

TECHNISCHE SPEZIFIKATIONEN

Gehäuse: Graues Polycarbonat, Grad der Selbstlöschung: V-0 gemäß UL 94.

Frontschutz: Entwickelt und getestet zur Gewährleistung der Schutzklasse IP 65 (*) und NEMA 4X bei Verwendung in geschlossenen Räumen.

(* Die Überprüfungen wurden gemäß den CEI-Normen 70-1 und NEMA 250-1991) durchgeführt.

Installation: Fronttafeleinbau.

Rückseitiger Anschlußblock: 10 Schraubanschlüsse (Schraube M3 für Kabel mit Ø von 0,25 bis Ø 2,5mm² oder von AWG 22 bis AWG 14), mit Anschlußbildern und Sicherheitsabdeckungen.

Abmessungen: Gemäß DIN 43700 48 x 48 mm, Tiefe 100 mm.

Gewicht: 160 g.

Versorgung:

- Von 100 V bis 240 VAC, 50/60 Hz (von -15% bis + 10% des Nennwerts).

- 24 V AC/DC (± 10% des Nennwerts).

Leistungsaufnahme: max. 6 VA

Isolierung: 2300 V rms gemäß EN61010-1.

Aktualisierungszeit des Displays: 500 ms.

Abtastrate: 500 ms.

Auflösung: 30000 Zählungen

Genauigkeit: ± 0,3% Endwert ± 1 digit @ 25°C Umgebungstemperatur.

Gleichtaktunterdrückung: 120 dB bei 50/60 Hz.

Serientaktunterdrückung: 60 dB bei 50/60 Hz

Elektromagnetische Kompatibilität: Dieses Gerät trägt das CE-Zeichen und entspricht daher den Richtlinien 89/336/EEC (in Einklang stehende Bezugsstandards EN-50081-2 und EN-50082-2)

Sicherheitsnormen: Dieses Gerät ist mit der EG-Sicherheitsmarke versehen und entspricht den Richtlinien 73/23/EEC und 93/68/EEC.

Installationsklasse: II

Temperaturdrift: (CJ ausgeschlossen):

< 200 ppm/°C

< 400 ppm/°C für RTD-Eingang mit Anzeige

-19,9/ 99,9°C und Eingang von Thermoelement T.

Betriebstemperatur: Von 0 bis 50 °C.

Lagertemperatur: Von -20 bis + 85°C.

Relative Feuchtigkeit: Von 20% bis 85%, nicht kondensierend.

Schutzschaltungen:

1) WATCH DOG- Schaltung für automatische Wiedereinschaltung.

2) DIP-Schalter für Konfiguration und Kalibration.

Höhe: Dieses Produkt ist nicht für den Einsatz in Höhen über 2000m (6562ft) geeignet.

EINGÄNGE

A) THERMOELEMENTE (TC)

Art: L-J-K-N-T über Tastatur einstellbar.

Leitungswiderstand: Max. 100Ω, mit max.

Fehler < ±0,1% der Breite des Eingangsbereichs.

Physikalische Einheiten: °C oder °F einstellbar.

Vergleichsstelle: Automatische Kompensation von 0 bis +50°C.

Genauigkeit der Vergleichsstelle: 0,1°C/°C.

Burn out: Beim Anfangs-oder Endwert einstellbar.

Eichung: Gemäß IEC 584-1 und DIN 43710-1977. (TC Typ L)

TC Art	Skalen	
	°C	°F
L	0 - +800 °C	0 - +999 °F
J	0 - +800 °C	0 - +999 °F
K	0 - +999 °C	0 - +999 °F
N	0 - +999 °C	0 - +999 °F
T	0 - + 400 °C	0 - +752 °F

B) WIDERSTANDSTHERMOMETER (RTD)

Art: Pt 100, 3-Leiteranschluß.

Strom: 135µA

Leitungswiderstand: Automatische

Kompensation bis zu 20Ω/Leiter mit:

- Fehler < ± 0,1% der Breite des Eingangsbereichs für den Bereich -19,9 bis 19,9 °C.

- nicht meßbarem Fehler für alle anderen Bereiche.

Physikalische Einheiten: °C oder °F einstellbar.

Burn out: Beim Endwert. **ANMERKUNG:** Eine spezielle Kontrollfunktion erzeugt eine OVERRANGE-Meldung, wenn der Eingangswiderstand unter 15 Ω liegt.

Eichung: Gemäß DIN 43760.

TABELLE - STANDARDSKALEN

RTD-Art	Meßbereich	
	°C	°F
RTD Pt 100	-199 - +500 °C	-199 - +999 °F
RTD Pt 100	-19,9 - +99,9 °C	-----

REGELAKTIONEN:

Regelaktion: PID oder SMART

Proportionalband: Von 1,0% (bei einem Regelausgang) oder von 1,5% (bei zwei Regelausgängen) bis 99,9% der Breite des Eingangsbereichs.

Wird Pb = 0 eingestellt, ist das Regelverhalten der Art ON/OFF.

Hysterese (zur ON/OFF-Regelung): von 0,1% bis 10,05 der Breite des Eingangsbereichs.

Integralzeit: Von 10" bis 20'; Auflösung 10 Sekunden. Die Einstellung einer Zeit über 20 Minuten, bewirkt den Ausschluß der Integralzeit.

Differentialzeit: Von 0 bis 9'59".

Vorladen der Integralzeit:

- von 0 bis 100% für einen Regelausgang.
- von -100 bis 100% für zwei Regelausgänge (nur LHS).

Zykluszeit des Hauptausgangs: von 1 bis 200 s.

Zykluszeit des Kühlausgangs: von 1 bis 200 s (nur LHS).

Relative Kühlverstärkung: von 0,20 bis 1,00 (nur LHS).

ANMERKUNG: Die Parameter PB, TI, TD und RCG können begrenzt werden, wenn die SMART-Funktion aktiviert ist.

Überlagerung/Totband: von -20% bis 50% (nur LHS).

AUSGÄNGE

AUSGANG 1 (Heizen)

Relaisausgang mit SPDT-Kontakt;
Kontaktbelastbarkeit 3A/250 V AC bei ohmscher Belastung.

b) TLogikspannung für die Steuerung von Festkörperrelais:

Logikstatus 1: 24 V +20% @ 1 mA.

14 V +20% @ 20 mA

Logikstatus 0: <0.5 V

Regelverhalten des Ausgangs: direkt/indirekt einstellbar (bei Modell LHS nicht verfügbar, wenn das Gerät für die Verwendung von zwei Regelausgängen programmiert wurde).

Ausgang 2 - Kühlen (nur LHS) oder Alarm 1

Relaisausgang mit SPDT-Kontakt;
Kontaktbelastbarkeit 1A/250 V AC bei ohmscher Belastung.

Mit Hilfe des internen Hakenschalters kann der Kontakt NA oder NC gewählt werden.

WARTUNG

- 1) DIE SPANNUNGSZUFUHR ZUM GERÄT UNTERBRECHEN
(Versorgung, Relaisausgänge, usw.).
- 2) Das Gerät aus dem Gehäuse ziehen.
- 3) Mit Hilfe eines Absaugers oder eines Druckluftstrahls mit niedrigem Druck (max. 3 kg/cm²) eventuelle Staub- und Schmutzablagerungen von den Belüftungsschlitzen und von den Schaltkreisen entfernen. Dabei vorsichtig verfahren, um eine Beschädigung der Komponenten zu vermeiden.
- 4) Zur Reinigung der äußeren Plastik- oder Gummiteile ausschließlich einen sauberen Lappen verwenden, befeuchtet mit:
 - Äthylalkohol (rein oder denaturiert) [C₂H₅OH]
 - Isopropylalkohol (rein oder denaturiert) [(CH₃)₂CHOH]
 - Wasser (H₂O)
- 5) Den festen Sitz der Klemmen überprüfen.
- 6) Das Gerät muß vollkommen trocken sein, bevor es wieder in das Gehäuse geschoben wird.
- 7) Das Gerät mit Spannung versorgen.

MONTAGGIO

Scegliere una posizione di montaggio pulita, facilmente accessibile anche sul retro e possibilmente esente da vibrazioni. La temperatura ambiente deve essere compresa tra 0 e 50 °C. Lo strumento può essere montato su un pannello di spessore fino a 15 mm dopo aver eseguito un foro da 45 x 45 mm.

Per le dimensioni di ingombro e foratura vedere pagina IV.

La rugosità superficiale del pannello deve essere migliore di 6,3 µm.

Lo strumento è fornito di guarnizione in gomma da pannello (da 50 a 60 Sh).

Per garantire la protezione IP65 e NEMA 4, inserire la guarnizione, fornita con l'apparecchio, tra lo strumento ed il pannello (vedere figura 1). Per fissare lo strumento al pannello, procedere come segue:

- 1) infilare la guarnizione sulla custodia dello strumento.
- 2) inserire lo strumento nella foratura
- 3) mantenendo lo strumento ben appoggiato al pannello, inserire la bretella di fissaggio.
- 4) utilizzando un cacciavite, serrare le viti con una coppia compresa tra 0.3 e 0.4 Nm.

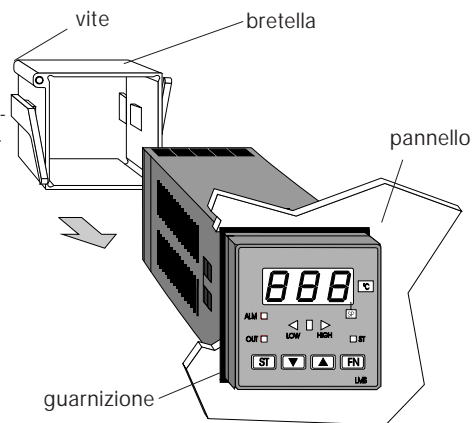


Fig. 1

COLLEGAMENTI ELETTRICI

I collegamenti devono essere effettuati dopo che la custodia dello strumento è stata regolarmente montata sul pannello.

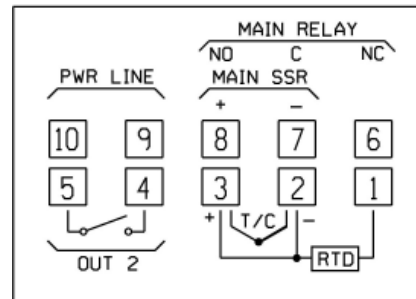


Fig. 2 MORSETTIERA POSTERIORE

A) INGRESSI DI MISURA

NOTA: Componenti esterni (es. barriere zener) collegati tra il sensore ed i terminali di ingresso dello strumento possono causare errori di misura dovuti ad una impedenza troppo elevata o non bilanciata oppure alla presenza di correnti di perdita.

INGRESSO PER TERMOCOPPIA

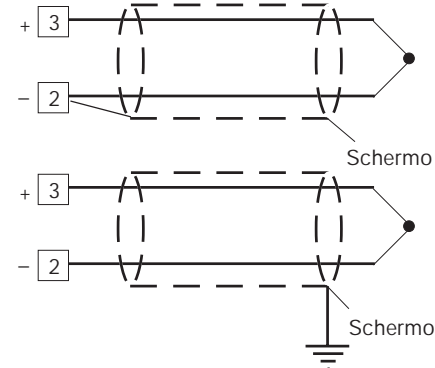


Fig. 4 COLLEGAMENTO DI TERMOCOPPIE

NOTE:

- 1) Non posare i cavi dei segnali parallelamente o vicino a cavi di potenza o a sorgenti di disturbi.
- 2) Per il collegamento della TC usare cavo di compensazione/estensione appropriato, preferibilmente schermato.
- 3) Quando si usa cavo schermato, lo schermo deve essere collegato a terra ad una sola estremità.

INGRESSO PER TERMORESISTENZA

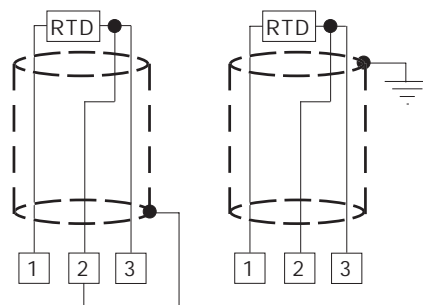


Fig. 5 COLLEGAMENTO DI TERMORESISTENZE

NOTE:

- 1) Non posare i cavi dei segnali parallelamente o vicino a cavi di potenza o a sorgenti di disturbi.
- 2) Fare attenzione alla resistenza di linea, una resistenza di linea eccessivamente alta (superiore a 20 Ω /filo) può causare errori di misura.
- 3) Quando si usa cavo schermato, lo schermo deve essere collegato a terra ad una sola estremità.
- 4) I 3 fili devono avere la stessa impedenza.

USCITE A RELE

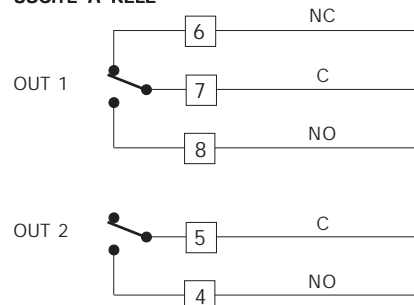


Fig. 6 USCITE A RELE'

Il contatto NO dell'uscita 1 e il contatto dell'uscita 2 sono protetti, tramite varistori, verso carichi che abbiano componente induttiva fino a 0,5 A.

La portata del contatto relativo all'uscita 1 è pari a 3A/250V c.a. su carico resistivo.

La portata del contatto relativo alle uscite 2 è pari a 1A/250V c.a. su carico resistivo.

Il numero delle operazioni è pari a 1×10^5 alla portata specificata.

NOTE:

- 1) Per evitare scosse elettriche, collegare l'alimentazione solo dopo aver terminato tutti gli altri collegamenti.
- 2) Per i collegamenti di potenza, utilizzare cavi No 16 AWG o con sezione maggiore adatti ad una temperatura di almeno 75 °C (167 °F).
- 3) Usare solo cavi di rame.
- 4) Non posare cavi di segnale parallelamente o vicino a cavi di potenza.

Le raccomandazioni che seguono possono evitare seri problemi causati dal utilizzo delle uscite a relè per pilotare carichi induttivi

CARICHI INDUTTIVI

Nella commutazione di carichi induttivi si possono generare transitori e disturbi che possono pregiudicare le prestazioni dello strumento.

Le protezioni interne (varistori) assicurano la protezione dai disturbi per carichi aventi una componente induttiva fino a 0,5 A.

Problemi analoghi possono essere generati dalla commutazione di carichi tramite un contatto esterno in serie al contatto di uscita dello strumento oppure dall'utilizzo del contatto NC dell'uscita 1.

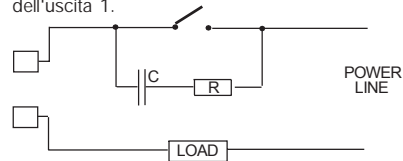


Fig. 7 CONTATTO ESTERNO IN SERIE AL CONTATTO DI USCITA DELLO STRUMENTO

In questi casi si raccomanda di collegare un filtro RC in parallelo al contatto esterno come indicato in fig. 7.

Il valore della capacità (C) e del resistore (R) sono indicati nella tabella seguente.

CARICO (mA)	C (mF)	R (W)	P. (W)	Tensione di lavoro
<40 mA	0.047	100	1/2	260 V AC
<150 mA	0.1	22	2	260 V AC
<0.5 A	0.33	47	2	260 V AC

In tutti i casi i cavi collegati con le uscite a relè devono rimanere il più lontano possibile dai cavi dei segnali.

USCITA LOGICA PER IL COMANDO DI SSR

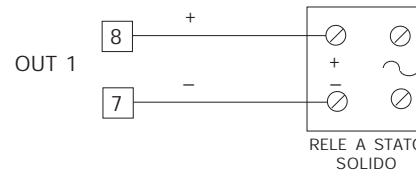


Fig. 8 COLLEGAMENTO PER IL PILOTAGGIO DI RELE A STATO SOLIDO.

Questa è una uscita a tempo proporzionale.

Livello logico 0: $V_{out} < 0.5 \text{ V c.c.}$

Livello logico 1: Corrente massima = 20 mA.

- 14 V + 20 % @ 20 mA

- 24 V + 20 % @ 1 mA.

NOTE: Questa uscita NON è isolata.

Un isolamento doppio o rinforzato tra lo strumento e la linea di potenza deve essere assicurato dal relè a stato solido esterno.

D) ALIMENTAZIONE

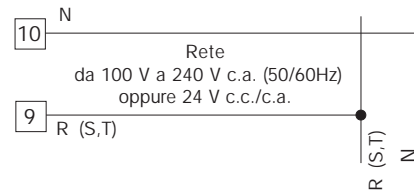


Fig. 3 COLLEGAMENTO ALL'ALIMENTAZIONE

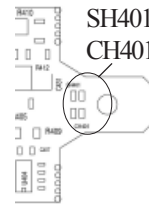
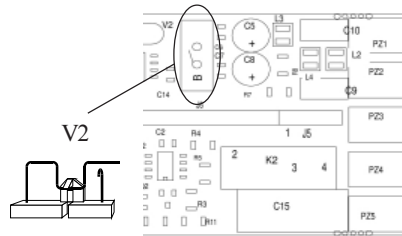
NOTE:

- 1) Prima di collegare lo strumento alla rete, assicurarsi che la tensione di linea sia corrispondente a quanto indicato nella targa di identificazione dello strumento.
- 2) Per evitare il rischio di scosse elettriche collegare l'alimentazione solo dopo aver effettuato tutti gli altri collegamenti.
- 3) Per il collegamento alla rete, utilizzare cavi No 16 AWG o maggiori adatti per una temperatura di almeno 75 °C.
- 4) Utilizzare solo conduttori di rame.
- 5) Non posare i cavi dei segnali parallelamente o vicino a cavi di potenza o a sorgenti di disturbi.
- 6) Per l'alimentazione 24 V c.c./c.a. la polarità non ha importanza.
- 7) I circuiti di alimentazione NON sono protetti da fusibile, pertanto si consiglia di prevederne uno esterno con le seguenti caratteristiche:
Fusibile tipo T, 1 A, 250 V.
- 8) Le normative sulla sicurezza relative ad apparecchiature collegate permanentemente all'alimentazione richiedono:
 - un interruttore o disgiuntore va compreso nell'impianto elettrico dell'edificio;
 - esso deve trovarsi in stretta vicinanza dell'apparecchio ed essere facilmente raggiungibile da parte dell'operatore;
 - deve essere marcato come il dispositivo di interruzione dell'apparecchio.

NOTA: un singolo interruttore o disgiuntore può comandare più apparecchi.

IMPOSTAZIONI HARDWARE PRELIMINARI

- 1) Estrarre lo strumento dalla custodia.
- 2) Posizionare lo switch V2 in posizione aperta.



3) Questi strumenti sono in grado di rilevare l'apertura del circuito di ingresso (TC o RTD) che viene visualizzato come una condizione di overrange. Per le sole termocoppie è possibile selezionare, tramite i jumpers SH401 e CH401 indicati nella figura a lato, il tipo di indicazione che si desidera ottenere in caso di termocoppia aperta.

Fig. 9

SH401	CH401	Indicazione
aperto	chiuso	overrange (Standard)
chiuso	aperto	underrange

- 4) Se lo strumento è stato programmato per la visualizzazione in °F, applicare l'etichetta addizionale, situata sulla pagina dell'INDICE, sul frontale dello strumento in modo da coprire l'attuale unità ingegneristica (°C).



- 5) Reinserire lo strumento.
 6) Alimentare lo strumento.
 Lo strumento indicherà "CnF".
ATTENZIONE: Se lo strumento dovesse visualizzare l'indicazione "CAL" premere immediatamente il tasto ▲ per tornare alla fase di configurazione.
 7) Premere il tasto FN.
 Per LMS-LHS, il display inferiore visualizzerà il codice del parametro selezionato mentre il display superiore ne visualizzerà l'impostazione.
 Per LDS il codice del parametro ed il relativo valore verranno visualizzati alternativamente.

NOTE GENERALI di configurazione.

- FN = Consente di memorizzare il nuovo valore del parametro selezionato e passare al parametro successivo (ordine crescente).
 ST = Consente di visualizzare i parametri in ordine decrescente senza memorizzare i nuovi valori.
 ▲ = Consente di aumentare il valore del parametro selezionato.
 ▼ = Consente di diminuire il valore del parametro selezionato.

PROCEDURE DI CONFIGURAZIONE

P1 - Tipo di ingresso e scala standard

0	= TC tipo	L	scala	0 / +800 °C
1	= TC tipo	J	scala	0 / +800 °C
2	= TC tipo	K	scala	0 / +999 °C
3	= TC tipo	N	scala	0 / +999 °C
4	= RTD tipo	Pt 100	scala	-199 / +500 °C
5	= RTD tipo	Pt 100	scala	-19.9 / +99.9 °C
6	= TC tipo	T	scala	0 / +400 °C
8	= TC tipo	L	scala	0 / +999 °F
9	= TC tipo	J	scala	0 / +999 °F
10	= TC tipo	K	scala	0 / +999 °F
11	= TC tipo	N	scala	0 / +999 °F
12	= RTD tipo	Pt 100	scala	-199 / +999 °F
13	= TC tipo	T	scala	0 / +752 °F

NOTA: Per i campi di misura in °F, è disponibile una etichetta adesiva indicante °F da incollare sul frontale dello strumento.

Detta etichetta, riportata sopra "INDICE" di questo manuale, deve essere collocata sopra l'indicazione °C.

P2 = Inizio scala

Non disponibile se P1 = 5
 Valore di inizio scala utilizzato dall'algoritmo PID per i calcoli dell'ampiezza del campo di lavoro.

P3 = Fondo scala

Non disponibile se P1 = 5
 Valore di fondo scala utilizzato dall'algoritmo PID.

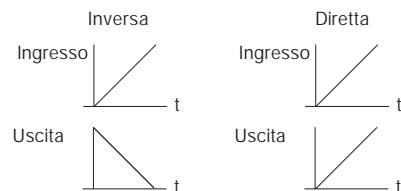
NOTE:

- 1) l'ampiezza del campo di lavoro impostato (P3 - P2) deve essere superiore a 300 °C o 600 °F per ingresso da termocoppia; 100 °C o 200 °F per ingresso da termoresistenza.
- 2) Se si modifica il valore di P3 e/o P4, i parametri rL ed rH verranno automaticamente allineati rispettivamente al nuovo valore di P3 e P4.

P4 = Azione uscita principale

Nell'LHS questo parametro non verrà visualizzato qualora P5=5

r = inversa (Riscaldamento)
d = diretta (Raffreddamento)



P5 = Funzione dell'uscita 2

- 0 = Non prevista
- 1 = Allarme di processo
- 2 = Allarme di banda
- 3 = Allarme di deviazione
- 4 = Allarme di anomalia
- 5 = Uscita raffreddamento (solo LHS)

NOTA: per il solo modello LHS, se P5 = 5, il parametro P4 assume automaticamente il valore "r".

P6 = Modo operativo uscita 2

P6 non viene visualizzato quando P5 = 0.

Se P5 = 1, 2 o 3

- H.A = di massima (fuori banda) con riarmo autom.
- L.A = di minima (dentro la banda) con riarmo autom.
- H.L = di massima (fuori banda) con riarmo manuale
- L.L = di minima (dentro la banda) con riarmo manuale

Quando P5 = 4, le selezioni H.A ed L.A indicano un allarme di anomalia con riarmo automatico mentre le selezioni H.L ed L.L indicano un allarme di anomalia con riarmo manuale.

Se P5 = 5, questo parametro seleziona il tipo di elemento raffreddante.

Alr = aria OIL = olio H2O = acqua

NOTA: la modifica del tipo di elemento raffreddante produce l'aggiornamento automatico del tempo di ciclo di raffreddamento e del guadagno di raffreddamento.

P6	C	RCG
Alr	10 (s)	1
OIL	4 (s)	0.8
H2O	2 (s)	0.4

P7 = Azione dell'allarme

Disponibile solo se P5 è diverso da 0 o 5.

r = inversa (relè diseccitato in condizione di allarme)

d = diretta (relè eccitato in condizione di allarme)

P8 = Mascheratura dell' allarme

Disponibile solo se P5 è uguale a 1, 2 o 3.

OFF = mascheratura disabilitata

ON = mascheratura abilitata

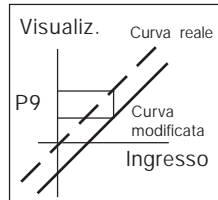
NOTA: la mascheratura consente di inibire l'azione degli allarmi allo start up e dopo le modifiche del set point per riattivarli automaticamente quando la variabile è rientrata nei limiti.

P9 = OFFSET di misura

L' OFFSET impostato con questo parametro risulta costante su tutto il campo di misura.

Se P1 = 5: P9 è programmabile da -19.9 a 19.9 °C.

Se P1 # 5 : P9 è programmabile da -199 a 199 °C o °F.



P10 = Soglia "Soft Start"

La funzione "Soft start" consente di limitare la potenza di uscita (vedere parametro operativo OLH) per un tempo programmabile (vedere parametro operativo tOL) all'accensione dello strumento qualora il valore misurato risultasse inferiore ad una predeterminata soglia. P10 è il valore di soglia, in unità ingegneristiche, per l'attivazione della funzione "Soft start".

P11 = chiave di accesso ai parametri di controllo

0 = chiave disabilitata. Tutti i parametri possono essere modificati
 1 = chiave abilitata. Nessun parametro può essere modificato con esclusione del set point.
 Da 2 a 499 = SP può sempre essere modificato; Selezionare il codice segreto (da ricordare) che consente, durante il modo operativo, di abilitare/disabilitare la chiave di accesso.

Durante il modo operativo lo strumento visualizzerà una delle seguenti indicazioni:
 A)

O F F
n n n

 La chiave è disabilitata e tutti i parametri possono essere modificati.
 Per abilitare la chiave e proteggere i parametri basta inserire un numero differente dal "codice segreto".

B)

O N
n n n

 La chiave è abilitata e nessun parametro può essere modificato ad esclusione di SP. Per disabilitare la chiave e consentire la modifica dei parametri basta inserire il "codice segreto".

Da 500 a 999 Selezionando un codice segreto compreso tra 500 e 999, lo strumento si comporterà come descritto al passo precedente ma, quando la chiave è abilitata, lo strumento consentirà la modifica del set point e della soglia di allarme.

P12 = Massima velocità di variazione del segnale di uscita.

Questo parametro è disponibile se Pb è diverso da 0.
 Programmabile da 1 a 10 % del segnale di uscita per secondo.
 Oltre il 10 %/s lo strumento visualizza "InF" per indicare l'esclusione della limitazione.

P13 = Risoluzione del bar graph di deviazione (solo LDS).

Per l'ingresso RTD con cifra decimale, P13 è programmabile da 0.2 a 20.0 °C
 Per tutti gli altri ingressi, P13 è programmabile da 2 a 200 unità ingegneristiche.

La configurazione primaria è completa e lo strumento visualizza " -.-.- " su entrambi i display. Per accedere ai parametri di configurazione secondari, procedere come segue:
 1) Utilizzando i tasti ▲ e ▼ impostare il codice 219.
 2) Premere il tasto FN.
 Se si desidera terminare la procedura di configurazione premere il tasto FN; il display indicherà "CnF".

P14 - Abilitazione/disabilitazione della visualizzazione dei parametri protetti.

Questo parametro è disponibile se P 11 è diverso da 0.

Questo parametro consente di abilitare o disabilitare, durante il modo operativo, la visualizzazione dei parametri protetti.

OFF = I parametri protetti non possono essere visualizzati

ON = I parametri protetti possono essere visualizzati.

P15 - Abilitazione/disabilitazione della funzione SMART

0 = La funzione SMART è disabilitata

1 = L'abilitazione/disabilitazione della funzione SMART **NON** è protetta dal codice di sicurezza.

2 = L'abilitazione/disabilitazione della funzione SMART è protetta dal codice di sicurezza.

P16 - Valore massimo di banda proporzionale impostabile automaticamente dalla funzione SMART.

Questo parametro può assumere i valori compresi tra P17 o P18 e 99.9.

P17 - Valore minimo di banda proporzionale impostabile automaticamente dalla funzione SMART per strumenti con una sola uscita regolante.

Questo parametro viene visualizzato solo se P5 è diverso da 5.

P17 può assumere i valori compresi tra 1.0% ed il valore di P16.

P18 - Valore minimo di banda proporzionale impostabile automaticamente dalla funzione SMART per strumenti con due uscite regolanti (LHS).

Questo parametro viene visualizzato solo se P5 è uguale a 5.

P18 può assumere i valori compresi tra 1.5% ed il valore di P16.

P19 - Calcolo automatico del "guadagno relativo di raffreddamento" (LHS).

Questo parametro è presente solo se P5 è uguale a 5.

OFF = La funzione SMART **NON** calcola il guadagno relativo di raffreddamento.

ON = La funzione SMART calcola il guadagno relativo di raffreddamento.

P20 - Minimo valore di tempo integrale calcolato dalla funzione SMART.

P20 può assumere valori compresi tra 00.1 (10 secondi) e 02.0 (2 minuti).

P21 = Estensione dell'anti-reset-wind up

Campo: da -30 a +30 % della banda proporzionale.

NOTA: un valore positivo aumenta il limite massimo della funzione (sopra il set point) mentre un valore negativo abbassa il limite minimo della funzione (sotto il set point).

Anche le procedure di configurazione avanzata sono terminate e lo strumento visualizzerà "CnF".

MODO OPERATIVO

PRELIMINARI

Per rendere operativo lo strumento in modo regolazione, è necessario che il ponticello V2 (vedere fig. 9) risulti chiuso.

Si assume che lo strumento sia stato configurato correttamente secondo le indicazioni riportate nella sezione 3.

- I modelli LMS ed LHS visualizzano sul display superiore il valore misurato mentre il display inferiore viene utilizzato normalmente per visualizzare il set point operativo (noi definiremo questa condizione come "Visualizzazione normale").
- Il modello LDS visualizza il valore misurato (noi definiremo questa condizione come "Visualizzazione normale") o il set point operativo (nel secondo caso il LED SP lampeggerà). Per passare dalla visualizzazione del set point a quella del valore misurato o viceversa, premere il tasto ▲.

Premendo il tasto FN è possibile visualizzare sequenzialmente tutti i parametri.

- I modelli LMS ed LHS visualizzano sul display inferiore il nome abbreviato del parametro selezionato mentre sul display superiore il valore impostato.
- Il modello LDS visualizza alternatamente il nome del parametro ed il suo valore mentre, durante la modifica, visualizza il solo valore del parametro.

Per modificare l'impostazione di un parametro procedere come segue:

- 1) Selezionare, tramite il tasto FN, il parametro che si desidera modificare.
- 2) Utilizzando i tasti ▲ e ▼ impostare il valore desiderato.

- 3) Premere il tasto FN per memorizzare il nuovo valore e passare al parametro successivo.

NOTE:

- 1) Se, durante la modifica di un parametro, non viene premuto alcun pulsante per un periodo superiore a 10 secondi, lo strumento ritorna automaticamente alla visualizzazione normale mentre la nuova impostazione dell'ultimo parametro verrà persa.
- 2) Lo strumento non visualizza tutti i possibili parametri ma visualizza solo i parametri che risultano in accordo con:
 - a) La configurazione dello strumento (vedere sezione 3),
 - b) l'impostazione del parametro P14 (vedere sezione 3),
 - c) l'impostazione della banda proporzionale (vedere pagina seguente).

INDICATORI

- ST Lampeggia quando la funzione SMART esegue la prima fase di autosintonizzazione. Acceso quando la funzione SMART esegue la seconda fase di autosintonizzazione
- OUT acceso quando l'uscita 1 è in condizione ON.
- ALM/COOL acceso quando l'uscita 2 è in condizione ON o l'allarme 1 è in condizione di allarme.
- SP (solo LDS) lampeggia quando lo strumento visualizza il set point di regolazione.

Descrizione della tastiera

- FN = consente di memorizzare la nuova impostazione del parametro e passare al parametro successivo (ordine crescente).
- ST = consente di attivare/disattivare la funzione SMART o di scorrere i parametri in ordine inverso senza memorizzarne i valori.
- ▲ = incrementa il valore del parametro visualizzato oppure, per il solo LDS, consente di visualizzare il valore del set point di regolazione.
- ▼ = decrementa il valore del parametro visualizzato.
- ▼ + FN = abilita/disabilita il LAMP TEST.

NOTA: la modifica dei parametri operativi è sottoposta ad un time out di 10 secondi. Se, durante la modifica dei parametri non viene eseguita alcuna operazione sui tasti per un periodo superiore a 10 secondi, lo strumento ritorna alla visualizzazione normale memorizzando solo le modifiche dei parametri che sono state seguite dalla pressione del tasto FN.

RIARMO MANUALE DELL'ALLARME.

Se è stato selezionato un allarme con riarmo manuale, la segnalazione di allarme persisterà anche dopo che la condizione di allarme è scomparsa.

Per riarmare l'allarme, premendo il tasto FN selezionare il parametro "n.rS" (il visualizzatore indicherà "n.rS" e "OFF"). Tramite i tasti ▲ e ▼ selezionare "ON" e premere il tasto FN.

Il riarmo manuale dell'allarme andrà a buon fine solo se la condizione di allarme non è più presente.

ALGORITMO SMART

Questa funzione consente il controllo ottimale del processo.

Per abilitare questa funzione è sufficiente premere per oltre 1.5 secondi il tasto ST durante la "visualizzazione normale"; il LED "ST" risulterà acceso fisso o lampeggiante in funzione dell'algoritmo selezionato dallo strumento. Quando la funzione SMART è abilitata, lo strumento concede di visualizzare i parametri di regolazione tradizionali (PB, TI, TD e rC) senza però consentirne la modifica.

Qualora si desiderasse tornare al controllo tradizionale (PID) basta premere nuovamente il tasto ST per almeno 1,5 secondi. Lo strumento manterrà l'attuale impostazione dei parametri di controllo e ne abiliterà la modifica.

NOTE :

- 1) Quando la funzione SMART è operativa, il guadagno relativo di raffreddamento (se controllato dalla funzione SMART) viene limitato come segue:

Elemento raffreddante	Campo
Air	0.85 a 1.00
OIL	0.80 a 0.90
H ₂ O	0.30 a 0.60
- 2) La funzione SMART utilizza un tempo dell'azione derivativa uguale ad un quarto del tempo dell'azione integrale.
- 3) I limiti dell'azione proporzionale sono programmabili tramite i parametri P16, P17 e P18.
- 4) Quando la funzione SMART è attiva, il minimo valore dell'azione integrale è definito dal parametro P20
- 5) programmando lo strumento per la regolazione di tipo ON/OFF (Pb=0) la funzione SMART viene automaticamente inibita.
- 6) L'abilitazione/disabilitazione della funzione SMART può essere protetta dalla chiave di accesso ai parametri (fare riferimento al parametro P15).

INIBIZIONE DEL SEGNALE DI USCITA

Questi strumenti consentono di inibire manualmente il segnale di uscita onde poter bloccare la regolazione.

Per inibire il segnale di uscita premere il tasto ▲ e, mantenendolo premuto, premere il tasto FN per almeno 3 secondi.

Lo strumento visualizzerà la scritta "OFF" al posto dell'indicazione di set point; il segnale di uscita andrà in OFF e lo strumento funzionerà da semplice indicatore.

Per il solo modello LDS, premendo il tasto ▲ sarà possibile visualizzare il valore misurato ma i tre LED del bar graph risulteranno lampeggianti (per indicare che lo strumento sta operando come semplice indicatore).

Quando le uscite regolanti sono disabilitate anche gli allarmi risultano disabilitati e forzati alla condizione di assenza di allarme.

Resta comunque abilitata la modifica dei parametri di regolazione.

Per tornare al funzionamento come regolatore premere il tasto ▲ e, mantenendolo premuto, premere il tasto FN per almeno 3 secondi.

NOTE:

- 1) Se l'uscita viene inibita quando la funzione SMART sta eseguendo la prima parte dell'algoritmo di auto-sintonizzazione (LED ST lampeggianti), quando lo strumento tornerà al normale controllo, la funzione risulterà disabilitata.
Se l'uscita viene inibita quando la funzione SMART sta eseguendo la normale operatività (LED ST acceso), la funzione SMART verrà temporaneamente bloccata; quando lo strumento tornerà al normale controllo, la funzione risulterà nuovamente attiva.
- 2) Se lo strumento viene spento quando la funzione di inibizione del segnale di uscita è attiva, alla successiva riaccensione detta funzione verrà riattivata automaticamente.

MODIFICA DIRETTA DEL SET POINT

Questi strumenti consentono di modificare il set point senza utilizzare il tasto FN.

Quando si desidera modificare rapidamente il set point, procedere come segue:

- 1) Premere, per più di 3 secondi, il tasto ▲ o ▼, il valore del set point comincerà a cambiare.
- 2) Tramite i tasti ▲ e ▼, impostare il valore desiderato.
- 3) Una volta raggiunto il valore desiderato, NON premere alcun tasto; il nuovo valore di set point diventerà operativo 3 secondi dopo l'ultima pressione dei tasti e lo strumento tornerà alla "visualizzazione normale".

Se durante questa procedura si desidera perdere la modifica, premere il tasto FN; lo strumento torna automaticamente alla "visualizzazione normale" senza memorizzare il nuovo set point.

VISUALIZZAZIONE DEL SET POINT IMPOSTATO (solo LDS)

Per visualizzare sul display il set point impostato basta premere il tasto ▲.

Sul display apparirà il valore di set point seguito dal lampeggio del punto decimale relativo alla cifra meno significativa (indicata sul frontale dalla scritta SP).

Per tornare alla visualizzazione del valore misurato basta premere nuovamente il tasto ▲.

FUNZIONALITÀ DEL BAR GRAPH (SOLO LDS)

Il bar graph a 3 LED indica la deviazione esistente tra la misura ed il set point impostato.

Il LED centrale (verde) è acceso quando la deviazione è inferiore alla metà del valore impostato tramite il parametro P13

Se la deviazione è superiore ad 1/2 P13 ma inferiore ai 3/2 P13 il relativo LED rosso risulterà acceso.

Qualora la deviazione risultasse superiore ai 3/2 del valore di P13, il relativo LED risulterà lampeggiante.

LAMP TEST

Quando si desidera verificare il funzionamento del visualizzatore, premere i tasti ▼ e FN. Lo strumento accenderà tutti i LED del visualizzatore con un duty cycle pari al 50 % (questo stato verrà chiamato LAMP TEST).

Il LAMP TEST non è sottoposto a time out. quando si desidera tornare al modo normale di visualizzazione, premere nuovamente i tasti ▼ e FN.

Durante il LAMP TEST non sono disponibili altre funzioni.

PARAMETRI OPERATIVI

Segue la lista completa dei parametri di controllo. Si noti che alcuni parametri potrebbero non venir visualizzati in funzione della configurazione specifica dell'apparecchio.

Premere il tasto FUNC, il display inferiore visualizzerà il codice mentre quello superiore visualizzerà il valore del parametro selezionato. Tramite i tasti ▲ e ▼ è possibile impostare il valore o lo stato desiderato.

Premendo il tasto FUNC lo strumento memorizzerà il nuovo valore (o il nuovo stato) e passerà alla visualizzazione del parametro successivo.

Param.Descrizione

SP Set point principale (in unità ing.)
Campo: da rL a rH.

n.r.S Riarmo manuale degli allarmi
Questo parametro viene visualizzato se almeno un allarme è programmato con il riarmo manuale.
Impostare ON e premere FN per riarmare gli allarmi.

nnn Chiave di protezione dei parametri.
Non viene visualizzato se P11 = 0 o 1.
ON= La protezione dei parametri è attiva.
OFF= La protezione dei parametri è inattiva.
Quando si desidera disattivare la protezione dei parametri, impostare un valore uguale al valore assegnato al parametro P11.
Quando si desidera riattivare la protezione dei parametri, impostare un valore differente dal valore assegnato al parametro P11.

AL Soglia Allarme (in unità ing.)
AL1 viene visualizzato solo se l'allarme è stato configurato.

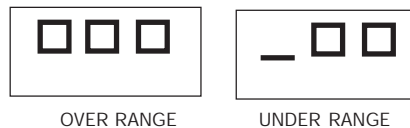
	Campi: - all'interno del campo di ingresso (P3 - P2) per allarme di processo. - da 0 a 500 unità per allarme di banda. - da -199 a 500 unità per allarme di deviazione.		
HSA	Isteresi allarme (in % del campo P3 - P2) HSA viene visualizzato solo se l'allarme è stato configurato. Campo: da 0.1% a 10.0% del campo di ingresso oppure 1 LSD Nota: Se l'isteresi di un allarme di banda risultasse più ampia della banda dell'allarme stesso, lo strumento utilizzerà un valore di isteresi pari al valore di banda programmato meno un digit.	td	l'azione integrale risulta esclusa. Tempo derivativa (in minuti e secondi [mm.ss]). "td" non viene visualizzato quando Pb=0 (azione ON/OFF). Campo: da 0.01 a 9.59 mm.ss. Impostando il valore 0 l'azione derivativa risulterà esclusa.
Pb	Banda proporzionale (in % del campo P3 - P2) Campo: da 1.0% a 99.9 % dell'ampiezza del campo di ingresso con una uscita regolante. Da 1.5% a 99.9 % dell'ampiezza del campo di ingresso con due uscite regolanti (solo LHS). Quando Pb = 0 l'azione regolante diventa di tipo ON/OFF; i parametri ti, td, IP, C, C2, rC, OLP, OLH e tOL non verranno visualizzati mentre la funzione SMART risulterà non abilitabile.	IP	Precarica dell'azione integrale. Ip è disponibile solo se Pb è diverso da 0. Campo: - da 0 a 100 % per una azione regolante - da -100 a 100 % per due azioni regolanti (solo LHS).
		C	Tempo di ciclo uscita 1 (in secondi). C è disponibile solo se Pb è diverso da 0. Campo: da 1 a 200 s.
		C2	Tempo di ciclo uscita 2 (in secondi) (solo LHS). C2 è disponibile solo se P5 è diverso da 0. Campo: da 1 a 200 s.
		rC	Guadagno relativo di raffreddamento. "rC" non viene visualizzato se Pb=0 (azione ON/OFF) o l'apparecchio è configurato per una uscita regolante. Campo: da 0.20 a 1.00.
HS	Isteresi per regolazione ON/OFF (in % del campo P3 - P2) HS è disponibile solo se Pb =0. Campo: da 0.1% a 10.0% dell'ampiezza del campo di ingresso.	OLP	Sovrapposizione/banda morta tra riscaldamento e raffreddamento (in % della banda proporzionale). "OLP" non viene visualizzato se Pb=0 (azione ON/OFF) o l'apparecchio è configurato per una uscita regolante. Un valore negativo indica una banda morta mentre un valore positivo indica una sovrapposizione. Campo: da -20% a 50%.
ti	Tempo integrale (in minuti e secondi [mm.ss]). "ti" non viene visualizzato quando Pb=0 (azione ON/OFF). Campo : da 00.1 a 20.0 mm.ss Oltre questo valore il display si oscura e	rL	Limite inferiore del set point (in unità ing.) Campo: dal valore di inizio scala (P2) a rH. Nota: se P2 viene modificato, anche rL viene riallineato automaticamente.

- rH Limite superiore del set point (in unità ing.)
Campo: da rL al valore di fondo scala (P3).
Nota: se P3 viene modificato, anche rH viene riallineato automaticamente.
- OLH Limite massimo dell'uscita regolante (in % dell'uscita)
Campo:
- da 0.0 a 100.0 quando lo strumento è programmato per una sola uscita regolante.
- da -100.0 a 100.0 quando lo strumento è programmato per due uscite regolanti (solo LHS).
- tOL Durata della limitazione della potenza di uscita (in minuti).
All'accensione lo strumento misura la variabile di processo, confronta il valore misurato con la soglia programmata per la funzione soft start (parametro P10 della sezione 3) e, se la variabile misurata è inferiore alla soglia, limita la potenza di uscita al valore OLH. Da questo momento inizia il conteggio del tempo. Il parametro tOL consente di definire la durata, in minuti, di questa limitazione. Allo scadere del tempo tOL, lo strumento toglie la limitazione e la potenza di uscita potrà assumere quindi un valore qualsiasi. Questo parametro viene visualizzato solo quando la banda proporzionale è diversa da zero.
Campo: da 1 a 100 min. Oltre questo valore il display indica "Inf" e la limitazione risulterà sempre inserita.
Nota: il parametro tOL può essere modificato in qualsiasi momento ma il nuovo valore diventerà operativo solo alla successiva accensione dello strumento.

MESSAGGI DI ERRORE

SEGNALAZIONE ANOMALIA DELLA MISURA

Lo strumento visualizzerà il rilevamento di una condizione di OVERRANGE ed UNDERRANGE visualizzando sul display superiore una delle seguenti indicazioni:



La rottura del sensore viene segnalata come segue:

- ingresso TC/mV: OVERRANGE o UNDERRANGE selezionabile tramite ponticello
- ingresso RTD: OVERRANGE

Per l'ingresso RTD, lo strumento segnala una condizione di OVERRANGE quando la resistenza di ingresso risulta inferiore a 15 ohm (rilevazione del cortocircuito del sensore).

NOTA: quando:

- lo strumento è programmato per utilizzare una sola uscita regolante ed ha rilevato una condizione di OVERRANGE, l'uscita 1 viene forzata a zero (per azione inversa) oppure a 100% (per azione diretta).
- lo strumento è programmato per utilizzare due uscite regolanti ed ha rilevato una condizione di OVERRANGE, l'uscita 1 viene forzata a zero mentre l'uscita 2 viene forzata a 100%.
- lo strumento è programmato per utilizzare una

sola uscita regolante ed ha rilevato una condizione di UNDERRANGE, l'uscita 1 viene forzata a 100% (per azione inversa) oppure a zero (per azione diretta).

- lo strumento è programmato per utilizzare due uscite regolanti ed ha rilevato una condizione di UNDERRANGE, l'uscita 1 viene forzata a 100% mentre l'uscita 2 viene forzata a zero.

Per gli ingressi da termocoppia è possibile selezionare l'indicazione di underrange come riportato al paragrafo 6.2 di questo manuale.

NOTA: In caso di overrange o underrange, gli allarmi si comportano come se lo strumento rilevasse rispettivamente il massimo od il minimo valore misurabile.

Per eliminare l'indicazione di fuori campo, procedere come segue:

- 1) verificare il segnale di ingresso e la relativa linea di collegamento.
- 2) assicurarsi che la configurazione dello strumento sia corretta (in riferimento al tipo di segnale applicato allo strumento) altrimenti modificare la configurazione dell'ingresso (vedere capitolo 3.2).
- 3) se non si rileva alcun errore spedite lo strumento al fornitore per un controllo.

MESSAGGI DI ERRORE

All'accensione e durante la normale operatività, questi strumenti eseguono alcuni controlli. Se lo strumento rileva una condizione di errore, il display visualizzerà la scritta "Er" preceduto da un codice che identifica il tipo di errore rilevato. Il modello LDS visualizza alternatamente il messaggio ed il relativo codice. Segue la lista completa di tutti i possibili errori in

ordine numerico.

Nel seguito vengono descritte anche le possibili cause di errore, il comportamento dell'uscita regolante e i possibili rimedi.

Alcuni errori producono il reset automatico dello strumento; se l'errore persiste spedite lo strumento al fornitore per un controllo.

LISTA DEGLI ERRORI POSSIBILI

100	Errore di scrittura delle EEPROM.
150	Errore generico nella CPU.
200	Tentativo di scrittura su memorie protette
201 - 2xx	Errore nei parametri di configurazione. Le due cifre meno significative indicano il numero del parametro errato (es. 209 Err indica errore del parametro P9).
301	Errore di calibrazione dell'ingresso RTD
305	Errore di calibrazione dell'ingresso TC
307	Errore di calibrazione ingresso RJ
400	Errore nei parametri di controllo
500	Errore di Auto-zero
502	Errore di RJ
510	Errore durante la calibrazione.

NOTE

- 1) Quando lo strumento rileva un errore nei parametri di configurazione, è sufficiente ripetere la configurazione del parametro specifico.
- 2) Se viene rilevato l'errore 400, premere contemporaneamente i pulsanti ▼ e ▲ per caricare i parametri predefiniti; poi ripetere l'impostazione dei parametri di controllo.
- 3) Per tutti gli altri errori contattare il fornitore.

CARATTERISTICHE TECNICHE

SPECIFICHE TECNICHE

Custodia: policarbonato di colore grigio; grado di auto-estinguenza: V-0 secondo UL 94.

Protezione frontale- Il prodotto è stato progettato per garantire una protezione IP 65 (*) e NEMA 4X per uso in luogo coperto.

(* le verifiche sono state eseguite in accordo gli standard CEI 70-1 e NEMA 250-1991).

Installazione: Montaggio a pannello

Morsettiera posteriore: 10 terminali a vite (vite M3 per cavi da ϕ 0.25 a ϕ 2.5 mm² o da AWG 22 a AWG 14) con diagrammi di collegamento e copri morsettiera di sicurezza.

Dimensioni: secondo DIN 43700 48 x 48 mm, profondità 100 mm.

Peso: 160 g max.

Alimentazione:

- da 100V a 240V c.a. 50/60Hz (-15% a + 10% del valore nominale).

- 24 V c.c./c.a. (+ 10 % del valore nominale).

Autoconsumo: 6 VA max.

Tensione di isolamento: 2300 V rms secondo EN 61010-1.

Tempo di aggiornamento del display: 500 ms.

Intervallo di campionamento: 500 ms .

Risoluzione: 30000 conteggi.

Precisione: + 0,3% v.f.s. + 1 digit @ 25 °C di temperatura ambiente.

Reiezione di modo comune: 120 dB a 50/60 Hz.

Reiezione di modo normale: 60 dB a 50/60 Hz.

Compatibilità elettromagnetica e normative di sicurezza: Questo strumento è marcato CE e pertanto è conforme alle direttive 89/336/EEC ed alle direttive 73/23/EEC e 93/68/EEC

Categoria di installazione: II

Deriva termica (CJ esclusa) : < 200 ppm/°C

< 400 ppm/°C Per ingresso RTD con visualizzazione -

19.9 / 99.9 °C e ingresso da termocoppia T.

Temperatura di funzionamento: da 0 a 50 °C.

Temperatura di immagazzinamento: -20 a +85 °C

Umidità: da 20 % a 85% RH, senza condensa.

Protezioni:

1) WATCH DOG circuito per il restart automatico.

2) DIP SWITCH per la protezione dei parametri di configurazione e calibrazione.

Altitudine: Questo prodotto non è adatto per usi oltre 2000m (6562ft).

INGRESSI

A) TERMOCOPPIE

Tipo: L, J, K, N, T programmabile da tastiera.

Resistenza di linea: max. 100 Ω con errore <+0.1% dell'ampiezza del campo di ingresso.

Unità ingegneristiche: °C o °F programmabile.

Giunto di riferimento: compensazione automatica da 0 a +50 °C.

Deriva del giunto di riferimento : 0.1 °C/°C.

Burn-out: ad inizio o fondo scala selezionabile.

Calibrazione: secondo IEC 584-1 e DIN 43710 - 1977 (TC tipo L)

TABELLA SCALE STANDARD

Tipo di TC	Campo di misura	
	°C	°F
L	0 - +800 °C	0 - +999 °F
J	0 - +800 °C	0 - +999 °F
K	0 - +999 °C	0 - +999 °F
N	0 - +999 °C	0 - +999 °F
T	0 - + 400 °C	0 - +752 °F

B) RTD (Resistance Temperature Detector)

Tipo: Pt 100 3 e fili.

Corrente: 135 μ A.

Resistenza di linea: Compensazione automatica fino a 20 Ω /filo con :

- errore <+0.1% dell'ampiezza del campo di ingresso per il campo -19.9 a 99.9 $^{\circ}$ C.

- errore non misurabile per tutti gli altri campi.

Unità Ingegneristiche: $^{\circ}$ C o $^{\circ}$ F programmabile.

Burn-out: a fondo scala. **NOTA:** Uno speciale controllo produce una segnalazione di OVERRANGE quando la resistenza di ingresso è inferiore a 15 Ω .

Calibrazione: secondo DIN 43760

TABELLA SCALE STANDARD

Tipo di RTD	Campo di misura	
RTD Pt 100	-199 - +500 $^{\circ}$ C	-199 - +999 $^{\circ}$ F
RTD Pt 100	-19.9 - +99.9 $^{\circ}$ C	-----

AZIONI DI CONTROLLO

Azione regolante: PID o SMART

Banda proporzionale: da 1.0 % (se si utilizza una sola uscita regolante) oppure 1.5 % (se si utilizzano due uscite regolanti) a 99.9 % dell'ampiezza del campo di ingresso.

Impostando Pb = 0 la regolazione è del tipo ON/OFF.

Isteresi (per controllo ON/OFF): da 0.1 % a 10.0 % dell'ampiezza del campo di ingresso.

Tempo integrale: da 10'' a 20' ; risoluzione 10 secondi. Impostando un valore superiore ai 20 minuti l'azione integrale risulterà esclusa.

Tempo derivativa: da 0 a 9' 59''.

Precarica dell'Integrale:

- da 0 a 100 % per un'uscita regolante.

- da -100 a 100% per due uscite regolanti (solo LHS).

Tempo di ciclo dell'uscita principale: da 1 a 200 s.

Tempo di ciclo uscita raffreddamento: da 1 a 200 s (solo LHS).

Guadagno relativo dell'azione di raffreddamento: da 0.20 a 1.00 (solo LHS).

NOTA : è possibile limitare i parametri PB, TI, TD e RCG quando la funzione SMART è abilitata.

Sovrapposizione/banda morta: da - 20 % a 50 % (solo LHS)

USCITE

USCITA 1 (Riscaldamento)

Uscita a relè con contatto SPDT ; portata contatto 3A / 250 V c.a. su carico resistivo.

b) Tensione logica per il comando di relè a stato solido.

Stato logico 1: 24 V +20% @ 1 mA.

14 V +20% @ 20 mA

Stato logico 0: <0.5 V

Azione dell'uscita: diretta/inversa programmabile (non disponibile per il modello LHS programmato per utilizzare due uscite regolanti).

Uscita 2 - raffreddamento (solo LHS) oppure allarme 1

Uscita a relè con contatto SPST ;

Portata contatto 1A / 250 V c.a. su carico resistivo.

Tramite ponticello interno è possibile selezionare il contatto NA o NC.

MANUTENZIONE

- 1) TOGLIERE TENSIONE ALL'APPARECCHIO
(alimentazione, uscite a relè, ecc),
- 2) Sfilare lo strumento dalla custodia
- 3) Facendo uso di un aspiratore o un getto di aria compressa a bassa pressione (max. 3 kg/cm²) rimuovere eventuali depositi di polvere e sporczia dalle ferritoie di ventilazione e dai circuiti facendo attenzione a non danneggiare i componenti.
- 4) Per pulire le parti esterne in plastica o gomma usare solamente uno straccio pulito ed inumidito con:
 - alcool etilico (puro o denaturato) [C₂H₅OH]
 - alcool isopropilico (puro o denaturato) [(CH₃)₂CHOH]
 - Acqua (H₂O)
- 5) Controllare che non vi siano morsetti allentati
- 6) Prima di reinserire lo strumento nella sua custodia assicurarsi che l'apparecchio sia perfettamente asciutto.
- 7) Reinserire l'apparecchio e ridare tensione.

DEFAULT PARAMETERS

DEFAULT OPERATIVE PARAMETERS

The control parameters can be loaded with predetermined default values. These data are the typical values loaded in the instrument prior to shipment from factory. To load the default values proceed as follows:

- The internal switch should be closed.
- The SMART function should be disabled.
- The safety lock must be OFF.
- The upper display will show the processevariable while the lower display will show the set point value or the current measure.
- Held down ▼ pushbutton and press ▲ pushbutton; the display will show:
LMS and LHS LDS

OFF
DFL

d.O F

- Within 10 seconds press ▲ or ▼ pushbutton. The display will show:

On
DFL

d.O n

- Press FUNC pushbutton; the display will show:

L. d t.

L. d t.

This means that the loading procedure has been initiated. After about 3 seconds the loading procedure is terminated and the instrument reverts to NORMAL DISPLAY mode.

The following is a list of the default operative parameters loaded during the above procedure:

PARAMETER	DEFAULT VALUE
SP	= minimum range-value
nnn	= OFF
AL	= minimum range-value for process alarms 0 for deviation or band alarms
HSA	= 0.1 %
PB	= 4.0 %
HS	= 0.5 %
ti	= 04.0 (4 minutes)
td	= 1.00 (1 minute)
IP	= 30 % for one control output 0 % for two control outputs
C	= 20 seconds for relay output 2 seconds for SSR output
C2	= 10 seconds for P6 = Alr 4 seconds for P6 = OIL 2 seconds for P6 = H2O
rC	= 1.00 for P6 = Alr 0.80 for P6 = OIL 0.40 for P6 = H2O
OLP	= 0
rL	= initial scale value
rH	= full scale value
OLH	= 100 %
tOL	= infinite

A. 1

DEFAULT CONFIGURATION PARAMETERS

The configuration parameters can be loaded with predetermined default values. These data are the typical values loaded in the instrument prior to shipment from factory. To load the default values proceed as follows:

a) The internal switch (V2, see fig. 9) should be open.

b) The upper display will show:

LMS - LHS	LDS
	

c) Push the ▼ pushbutton; the lower display will show the firmware version.

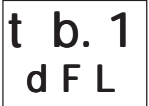

	
---	--

d) Maintaining the pressure on the ▼ pushbutton push the ▲ pushbutton also.

The instrument will show

	
---	--

e) Press ▲ pushbutton to select between table 1 (european) or table 2 (american) default parameter set. The display will show:

	
---	---

f) Press FUNC pushbutton; the display will show:

	
---	---

This means that the loading procedure has been initiated. After about 3 seconds the loading procedure is terminated and the instrument reverts to visualization as in point b).

The following is a list of the default parameters loaded during the above procedure:

PRODUCT PARAMETER	LDS		LMS		LHS	
	TABLE 1	TABLE 2	TABLE 1	TABLE 2	TABLE 1	TABLE 2
P1	1	9	1	9	1	9
P2	0 °C	0 °F	0 °C	0 °F	0 °C	0 °F
P3	400 °C	999 °F	400 °C	999 °F	400 °C	999 °F
P4	r	r	r	r	r	r
P5	0	0	0	0	5	5
P6	H	H	H	H	Air	Air
P7	r	r	r	r	r	r
P8	OFF	OFF	OFF	OFF	OFF	OFF
P9	0	0	0	0	0	0
P10	0	0	0	0	0	0
P11	0	0	0	0	0	0
P12	10	10	10	10	10	10
P13	2	2	--	--	--	--
P14	ON	ON	ON	ON	ON	ON
P15	2	2	2	2	2	2
P16	30.0	30.0	30.0	30.0	30.0	30.0
P17	1.0	1.0	1.0	1.0	1.0	1.0
P18	--	--	--	--	1.5	1.5
P19	--	--	--	--	OFF	OFF
P20	00.3	00.3	00.3	00.3	00.3	00.3
P21	10	10	10	10	10	10



Via E. Mattei, 21
28100 Novara
Italy
Tel. +39 0321481111
Fax +39 0321481112
E-mail eroelectronic@ero.eurotherm.co.uk
[Http://www.eroelectronic.com](http://www.eroelectronic.com)

